

Receptor scheme double set
Technical drawings and specifications



RECEPTOR FURNITURE

PART 1 – GENERAL

1.01 SUMMARY

- A. The scope of work includes the fabrication and delivery of freestanding “weather-resistant” classroom furniture:
 - 1. Chair
 - 2. Double Bench
 - 3. Desk
 - 4. Double Desk
- B. Work includes, but is not limited to the following:
 - 1. Labor, equipment, and material to fabricate freestanding classroom furniture.
 - 2. Labor, equipment, and material to protect and transport freestanding classroom furniture, and/or its components, from the factory/workshop to the final installation locations.
 - 3. Testing and quality control of classroom furniture and/or its components.
- C. In the context of this specification, “weather-resistant” classroom furniture refers to the ability of the furniture to withstand limited exterior conditions such as humidity and moisture. The furniture is intended for use in indoor, unconditioned spaces, or semi-outdoor spaces, such as verandas, patios, etc.

1.02 REFERENCES

- A. Reference Standards and Regulatory Requirements:
 - 1. Where there are in existence national standards, regional standards, European Standard (EN), European Standard adopted International Organization for Standardization (EN ISO), or Normes Française (NF) Standards applicable to this type of product and work, the recommendations and requirements of such Standards shall be considered minimum standards for the installation described, and must be complied with.
 - 2. Reference to a Standard or Code shall be deemed to include all other Standards and Codes referred to in the specified Standard or Code.
 - 3. Nothing herein shall relieve Trade Contractor of its responsibility to provide a higher standard than the relevant Code or Standard, where that is required in order to comply with other parts of the Specifications.

1.03 SUSTAINABILITY REQUIREMENTS

- A. Specific project goals of work include: use of recycled-content materials, use of recyclable materials, use of locally-manufactured materials, use of woods and plywood that are

certified as renewable, use of low VOC-emitting materials, construction waste management and recycling, and the implementation of a construction indoor air quality management plan.

- B. For wood, and plywood, certification of origin from a sustainable source shall be provided.
- C. Furniture Contractor shall provide UNICEF representative with sustainability criteria for all component parts of classroom furniture prior to fabrication.

1.04 QUALITY ASSURANCE

- A. The following methods of assuring quality are required by UNICEF:
 - 1. Furniture Contractor shall fabricate and assemble one piece of each type of furniture prior to production. This “Test Unit” shall be used to verify drilled hole locations, assure alignments are consistent with the Design Drawings and Technical Specifications and perform all Quality Assurance Tests identified in Section 2.01 on each test unit. All tests shall be observed by the UNICEF representative. Apply all sample finishes to test units in areas of at least 150mm x 150mm and apply each of the finish colors to an entire steel leg or leg support component. The assembled Test Units and sample finishes shall be evaluated for compliance with the Design Drawings and Technical Specifications and approved by the UNICEF representative prior to commencement of production.
 - 2. Conduct a detailed inspection and testing of one piece of each type of fully assembled furniture during production in the fabricator’s workshop in the presence of the UNICEF representative for every 100 units or less produced using all Quality Assurance tests identified in Section 2.01.
 - 3. Conduct a detailed inspection and testing of one piece of each type of furniture taken at random once assembled and installed in a school for every 100 units or less assembled using Quality Assurance tests identified in Section 2.01, tests F.3 and F.4.
- B. The regularity of these inspections is to be determined by individual contract with UNICEF, but is recommended to be a minimum of once per order.

1.05 WARRANTY

- A. Furniture Contractor shall submit a written warranty agreeing to repair or replace units or components which fail in materials or workmanship within the specified warranty period. Warranty period is one year after the date of furniture delivery/installation.

- B. Furniture Contractor shall provide a written guarantee of availability of components compatible with the original furniture construction for a period of not less than one year after the date of furniture delivery/installation.

PART 2 - TESTING

2.01 QUALITY ASSURANCE TESTS

- A. General
 - 1. Refer to Section 1.04 for description of testing of Test Units, assembled units during production in the fabricator’s workshop, and randomly selected assembled furniture in a school.
 - 2. Test F, listed below, shall be performed on assembled furniture pieces both at the production workshop and at the school. A UNICEF representative shall be present for testing/test results.
- B. Bend test on metal finishes
 - 1. Test a finished metal piece by bending it over a 12 mm mandrel. If the finish cracks, it is not acceptable.
- C. Scratch test on metal finishes
 - 1. Pull a rough-edged stone weighing 3 kg over a finished metal piece. If the finish is scratched, it is not acceptable.
- D. Adhesion test on metal finishes
 - 1. Firmly apply a 100 mm piece of clear-self-adhesive tape on finished metal piece and rip it off. If the finish damaged, it is not acceptable.
- E. Resistance to marking by liquids
 - 1. Place a sponge (50x75x25 mm) soaked with water on top of the finished surface of a desk and chair/bench for 4 days. The sponge shall be kept wet for the duration of the test. At the end of the test, the surface shall be dried. If there is damage to the finish, it is not acceptable.
- F. Loading test
 - 1. Drop a 60 kg weight from 100 mm above onto the desk and chair/bench surfaces 30 times. If there is damage to the furniture, it is not acceptable.
 - 2. Place 25 kg weights at 3 of the 4 corners of the desk and chair/bench. If the furniture does not remain stable, it is not acceptable.
 - 3. Place the bottom of the side legs against a fixed edge along the floor. Apply moderate pressure from the opposite side by pushing against the seat, bench or desk top. If the furniture racks, it is not acceptable.

PART 3 - MATERIALS

3.01 ACCEPTABLE CONSTRUCTION OPTIONS

- A. Receptor Furniture

Technical Specifications - Receptor Furniture

1. Laminated plywood with steel receptor, and wood legs, or
2. Laminated plywood with steel receptor, and steel tube legs, or
3. Laminboard with steel receptor, and wood legs, or
4. Laminboard with steel receptor, and steel tube legs, or
5. Plastic laminate on laminated plywood or composite wood with steel receptor, and wood legs, or
6. Plastic laminate on laminated plywood or composite wood with steel receptor, and steel tube legs.

3.02 Materials

A. General

1. Provide all materials for desk tops/shelves and bench and chair seats and backs as described in the Design Drawings.
2. All wood shall be obtained from responsibly managed forest and/or plantations in accordance with local laws and regulations governing forest management.
3. All wood shall be kiln dried to 5% moisture content.
4. All wood shall be Top Grade, select local species and free from cat's eyes, bird's eyes, burls, curls, or cross grains.
5. All wood for the same piece of furniture shall have consistent color and grain pattern. Grain direction should run parallel with the long direction of component piece.
6. Adhesives shall be waterproof and must not discolor any materials being used.
7. Only BR (boil resistant) and WBP (waterproof and boilproof) adhesives shall be used. Examples include phenol formaldehyde and epoxy adhesives.

B. Sheet Material

1. Plywood
 - a. The grains of each ply shall be at right angles to the next (crossbanding). Sitting and desktop writing surfaces shall be grade A plywood or better so that knots are minimized.
2. Laminboard
 - a. Core of wood strips or veneers between outer veneers with their grain direction at right angles to the grain of the core.
 - b. Cores shall be 1.5 mm to 7 mm max wide strips or veneers, glued together face to face.
3. Plastic Laminated Sheet Material
 - a. Only high pressure plastic laminate (HPL) shall be used; low pressure laminates (LPL) are not acceptable.
 - b. Adhere plastic laminate to plywood, laminboard or dense particle board.

- c. Top of desk, top of desk shelf, chair/bench seat and chair/bench back (both sides) surfaces shall be fully covered with plastic laminate.

C. Steel Products

1. Use only materials which are smooth and free of surface blemishes including pitting, seam marks, roller marks, rolled trade names and roughness.
2. Steel Sections
 - a. Steel plate
 - i. Provide sections to receive sheet material for Receptor Assembly in dimensions described in the Design Drawings.
 - ii. Provide plates with slots for Receptor assembly in dimensions described in the Design Drawings (Receptor Furniture).
 - iii. Use steel plate that is a minimum of 3mm thick to avoid deflection and enable pieces to be joined with robust welds.
 - b. Bent steel angle
 - i. Provide top angles with attachment slots to the chair/bench back for Receptor assembly in dimensions described in the Design Drawings.
 - ii. Provide leg support bent angles with slots for Receptor assembly in dimensions described in the Design Drawings.
 - iii. Use bent steel angle that is a minimum of 3mm thick.
 - c. Steel Wire
 - i. Provide steel wire bent to the shape of a bag hook in dimensions described in the Design Drawings.
 - ii. Use bent steel wire that is a minimum of 5mm thick.
2. Metric Pan Head Machine Screw
 - a. Zinc-Plated Steel
 - b. Refer to Design Drawings for sizes and dimensions.
3. Metric Carriage Bolt
 - a. Zinc Low Carbon Steel
 - b. Refer to Design Drawings for sizes.
4. Metric Self Locking Nut with Nylon Insert
 - a. Steel Zinc-Plated
 - b. Refer to Design Drawings for sizes.
4. Hard Plastic Foot
 - a. Refer to Design Drawings for sizes and positioning.
 - b. This piece is integral to the performance of the furniture piece. If furniture Contractor is not able to acquire the piece, an alternate shall be proposed. If an acceptable

alternative is not provided, the UNICEF representative may elect to have no leg feet provided the furniture is stable without them.

PART 4 – TECHNICAL SPECIFICATIONS

4.01 DESIGN

- A. Sizes: Refer to Design Drawings for small, medium and large furniture descriptions and all dimensions and component part configurations.
- B. Colors
 1. Steel components of furniture shall be painted in four different finish colors in equal numbers for each size of furniture provided.
 2. Steel components for each desk, bench and chair shall be a single color. They shall also be the same for each desk / chair and desk / bench set.
 3. Colors are:
 - a. UNICEF Blue – Pantone Process Cyan C
 - b. Orange – Pantone Orange 021 C
 - c. Light Green – Pantone 376 C
 - d. Chartreuse – Pantone 3965C
 4. Refer to Pantone web site to see image of colors: <http://www.pantone.com/pages/pantone/colorfinder.aspx>
 5. Samples of color ranges shall be submitted to the UNICEF representative for evaluation and approval before fabrication.
 6. Certain areas of the furniture shall be painted with chalkboard paint, refer to Design Drawings and Section 4.03 Finishes.

4.02 FABRICATION

- A. Sheet Material and Wood
 1. Cut sheet material and leg pieces to size using table and band saws to achieve straight and square cuts.
 2. Rout edges to achieve rounded profiles as described in the Design Drawings.
 3. Rout slots to receive Receptor angles in desktop, shelf and chair/bench seat and back.
 4. Ease exposed wood edges that are not otherwise routed.
 5. Drill holes and partial counter-sunk holes to receive bolts as described in the Design Drawings.
 6. Avoid cutting and drilling techniques that splinter or fray the edges of material. Cuts and drilled holes shall be clean and precise.
- B. Steel
 1. Cut steel plate and bent angles using a metal band saw to achieve straight and square cuts in dimensions described in the Design Drawings.

2. Cut steel wire to size using a metal band saw to achieve straight and square cuts and grind ends round as described in the Design Drawings.

C. Steel Bending

1. Use a pneumatic metal break or a custom jig to bend steel plate.
2. Steel angles shall be cut so they are square to the receptor assembly.

D. Steel Preparation and Welding

1. Welds exposed to view shall be ground flush and dressed smooth to match finish of adjoining surfaces; undercut metal edges where welds are required to be flush.
2. Welds shall be continuous.
3. All welds on or behind surfaces which will be exposed to view shall be done so as to prevent distortion of finished surface.
4. All exposed edges shall be slightly eased to eliminate sharp edges.
5. TIG (Argon-arc) welding is recommended. Any commercial welding is acceptable. Add filler metal as required. Weld size shall be equal to the thickness of the steel being joined. Electrodes for standard grade steel A36 shall be AWS 5.1, Class E70XX.

4.03 FINISHES

A. Metals

1. All metal parts shall receive powder coat painting. Substrate shall be free of grease, oil, dirt, fingerprints and drawing compounds.
2. For regions where powder coating is not available, hand painting metals shall be acceptable. Thoroughly cleaned metal shall receive one coat of red-oxide primer and 3 coats of enamel paint. Each coat of enamel paint shall be lightly diluted with thinner (2% max), and after the first and second coat of enamel paint has dried properly, metal shall be lightly sanded with flint paper (grade 200 and above) to remove bubbles and sharp points. The final coat shall give a smooth, even, and hard topcoat. Paint coats shall be fully dried prior to application of next coat.
3. Enamel shall be a non-chipping type.
4. Refer to colors in Section 4.01 of this design specification.

B. Wood

1. Wood shall be thoroughly sanded in the direction of wood grain using three gradations of sandpaper to produce a smooth surface.
2. All wood shall be finished with 3 coats of lacquer with a light sanding between coats 1 and 2.

3. All wood surfaces to receive lacquer shall be thoroughly cleaned and free of dirt, oil, grease, moisture, or other foreign matter prior to painting.
4. All wood finishes shall be non-toxic.
5. Chalkboard paint
 - a. Two coats of acrylic paint with durable finish shall be used.
 - b. Apply to a wood surface with primer designed to provide block between wood and finish paint.

PART 5 - MISCELLANEOUS

5.01 PACKAGING

- A. Internal packaging components
 1. Furniture component parts to be shipped in flat corrugated cardboard containers and packed in such a way to avoid crushing.
 2. Individual furniture components shall be wrapped in corrugated cardboard to avoid scratches and abrasions during shipping.
- B. Furniture contractor shall be responsible for protection of furniture pieces during transportation.

5.02 ASSEMBLY/REPAIR KIT

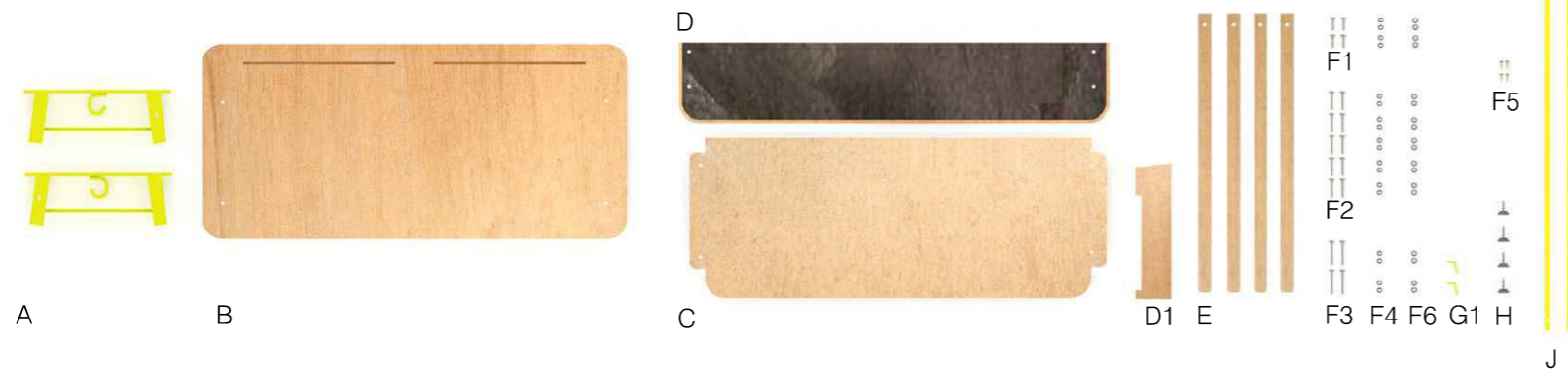
- A. Provide one adjustable bolt wrench that fits the specified hex nut, one flathead screwdriver sized for the specified screws and a rubber mallet.
- B. Provide up to two screws and bolt/nut assemblies in each size for each desk and bench unit provided by Furniture Contractor.
- C. Provide four additional feet for each individual furniture piece.
- D. Assembly/Repair Kit: Provide two kits for orders between 1 and 200 desk and chair/bench units and an additional kit for each additional 1 to 100 unit increment.

5.03 TRAINING

- A. Furniture Contractor shall provide an information session to school personnel on assembling and maintaining the furniture. This is required at each school where classroom furniture is installed.
- B. Certification letter from Furniture Contractor stating successful completion of school personnel training, signed by both the Furniture Contractor and school representative.

END

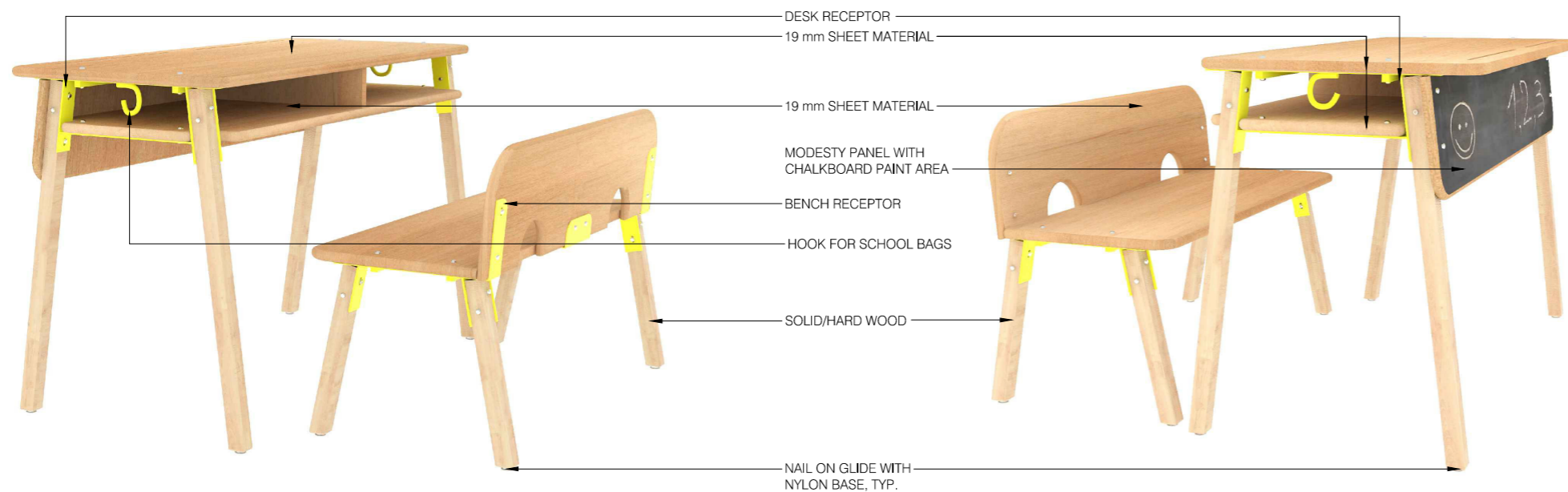
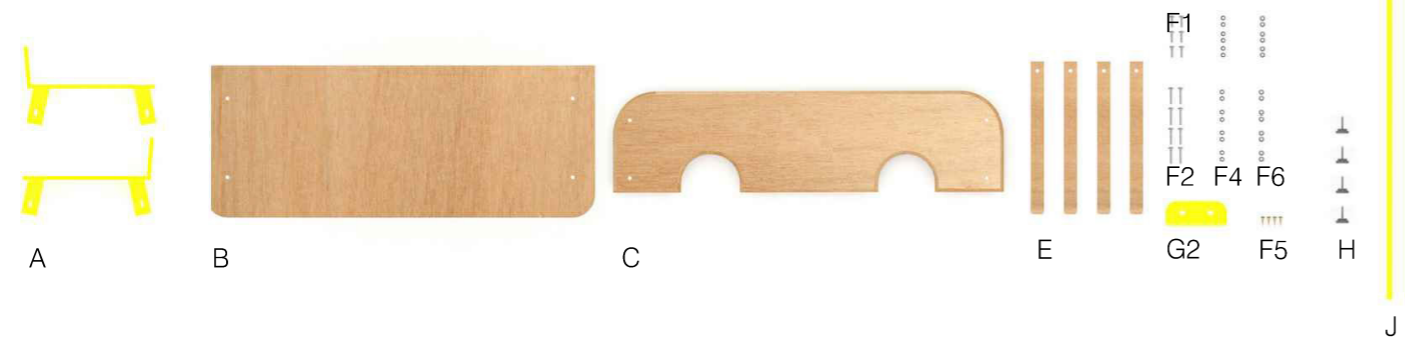
DOUBLE DESK COMPONENTS



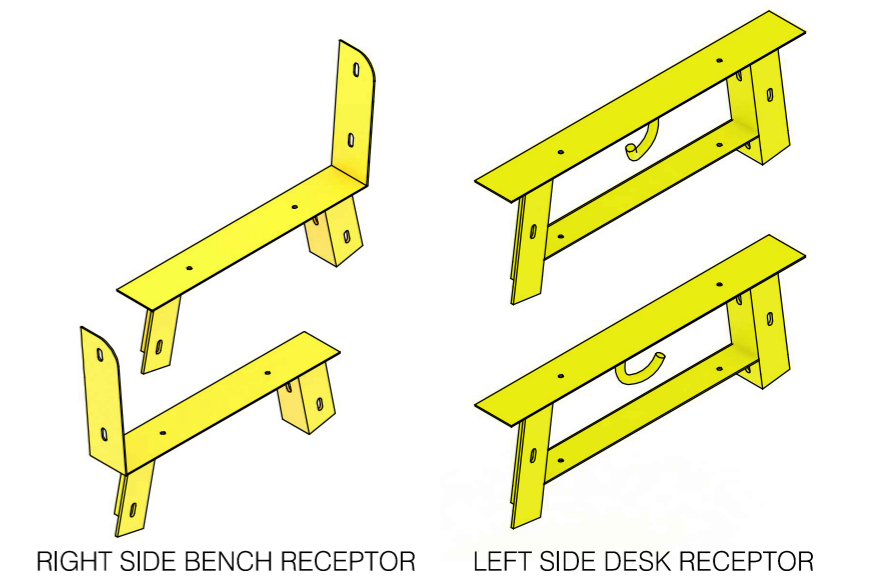
SCHEDULE: DOUBLE DESK				
ITEM	QTY	DESCRIPTION	NOTES	PG#
A	2	DESK RECEPTOR	RIGHT SIDE RECEPTOR AND LEFT SIDE RECEPTOR, POWDER COATED/PAINTED CHARTREUSE, PANTONE 3965C	ARB-3, ARB-4
B	1	DESKTOP	19 mm THICK SHEET MATERIAL	ARB-8, ARB-9
C	1	SHELF	19 mm THICK SHEET MATERIAL	ARB-10, ARB-11
D	1	MODESTY PANEL	19 mm THICK SHEET MATERIAL	ARB-7
D1	1	SHELF DIVIDER	19 mm THICK SHEET MATERIAL	ARB-11
E	4	LEG	32 mm SQUARE SOLID WOOD	ARB-7
F1	4	CARRIAGE BOLT	M8 X 1.25 mm THREAD, X 35 mm LENGTH, ZINC PLATED	RB-3
F2	10	CARRIAGE BOLT	M8 X 1.25 mm THREAD, X 45 mm LENGTH, ZINC PLATED	RB-3
F3	4	CARRIAGE BOLT	M8 X 1.25 mm THREAD, X 65 mm LENGTH, ZINC PLATED	RB-3
F4	18	HEX LOCKNUT WITH NYLON INSERT	M8 X 1.25, ZINC PLATED	RB-3
F5	4	WOOD SCREW	M5, X 14 mm LENGTH, ZINC PLATED, FLAT HEAD	RB-3
F6	18	WASHER	M8, ZINC PLATED	RB-3
G1	2	90 DEGREE CLIP	15 mm X 15 mm, 2 HOLES, ZINC PLATED	RB-3
H	4	NAIL ON GLIDE WITH NYLON BASE	NAIL ON GLIDE WITH NYLON BASE, 22 mm BASE DIAMETER	RB-3
J	2	REINFORCEMENT BAR	12mm SQUARE STEEL TUBE	RB-3

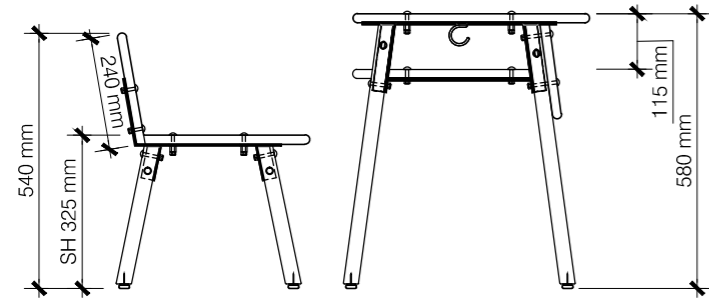
SCHEDULE: BENCH				
ITEM	QTY	DESCRIPTION	NOTES	PG#
A	2	BENCH RECEPTOR	RIGHT SIDE RECEPTOR AND LEFT SIDE RECEPTOR, POWDER COATED/PAINTED CHARTREUSE, PANTONE 3965C	ARB-1, ARB-2
B	1	SEAT	19 mm THICK SHEET MATERIAL	ARB-5
C	1	BACK	19 mm THICK SHEET MATERIAL	ARB-6
D	N.A.			
D1	N.A.			
E	4	LEG	32 mm SQUARE SOLID WOOD	ARB-7
F1	4	CARRIAGE BOLT	M8 X 1.25 mm THREAD, X 35 mm LENGTH, ZINC PLATED	RB-3
F2	12	CARRIAGE BOLT	M8 X 1.25 mm THREAD, X 45 mm LENGTH, ZINC PLATED	RB-3
F3	N.A.			
F4	16	HEX LOCKNUT WITH NYLON INSERT	M8 X 1.25, ZINC PLATED	RB-3
F5	4	WOOD SCREW	M5, X 14 mm LENGTH, ZINC PLATED, FLAT HEAD	RB-3
F6	16	WASHER	M8, ZINC PLATED	RB-3
G2	1	100 DEGREE SUPPORT ANGLE	100 mm X 50 mm X 32 mm, 4 HOLES, ZINC PLATED	RB-3
H	4	NAIL ON GLIDE WITH NYLON BASE	NAIL ON GLIDE WITH NYLON BASE, 22 mm BASE DIAMETER	RB-3
J	2	REINFORCEMENT BAR	12mm SQUARE STEEL TUBE	RB-3

BENCH COMPONENTS

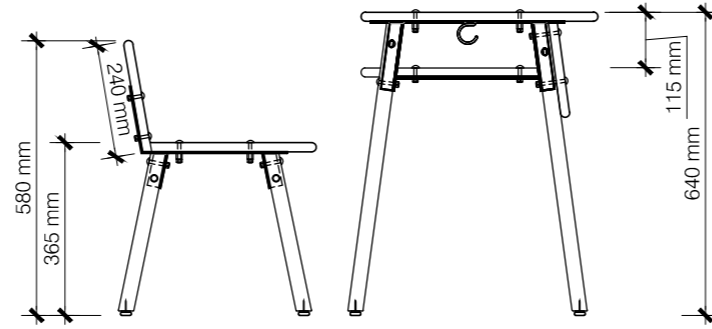


LEFT SIDE BENCH RECEPTOR RIGHT SIDE DESK RECEPTOR

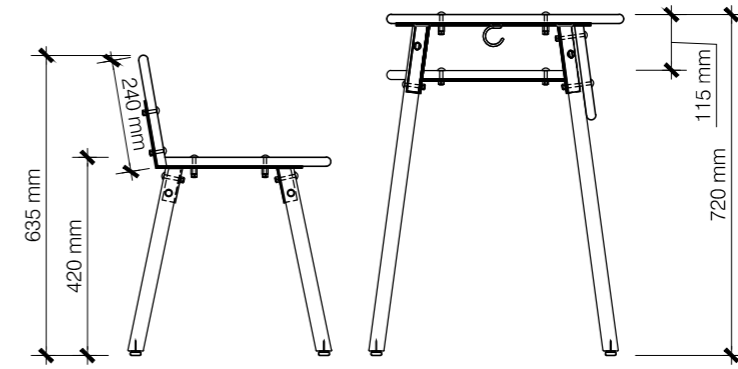




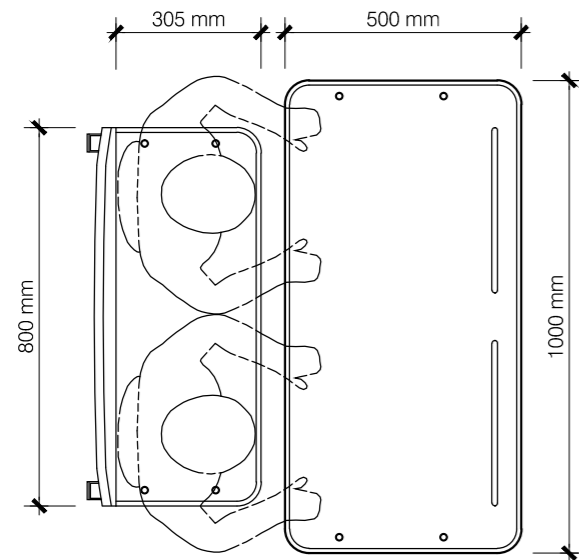
SIDE ELEVATION



SIDE ELEVATION

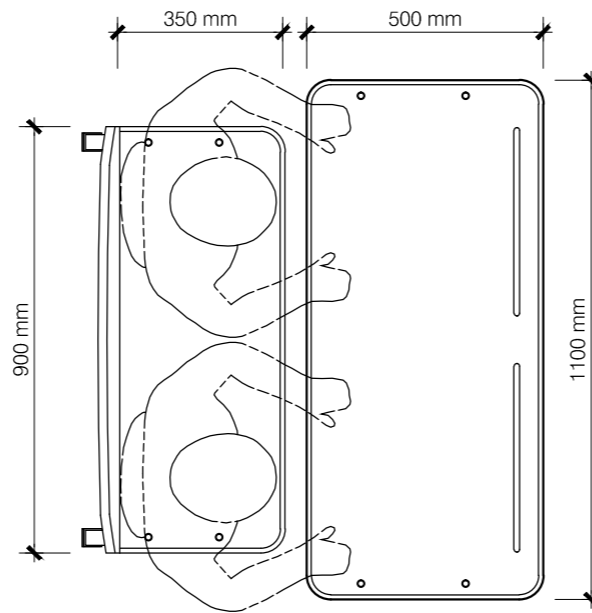


SIDE ELEVATION



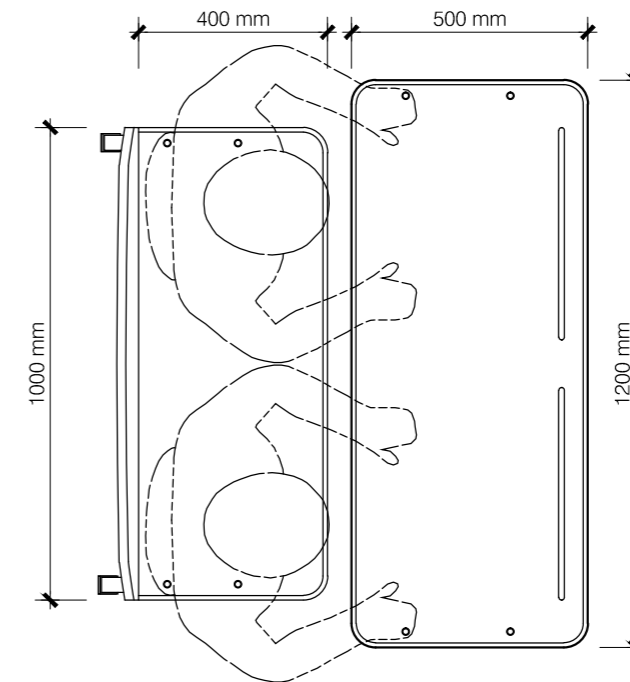
PLAN - DOUBLE

01 SMALL (S)
1:16 SCALE



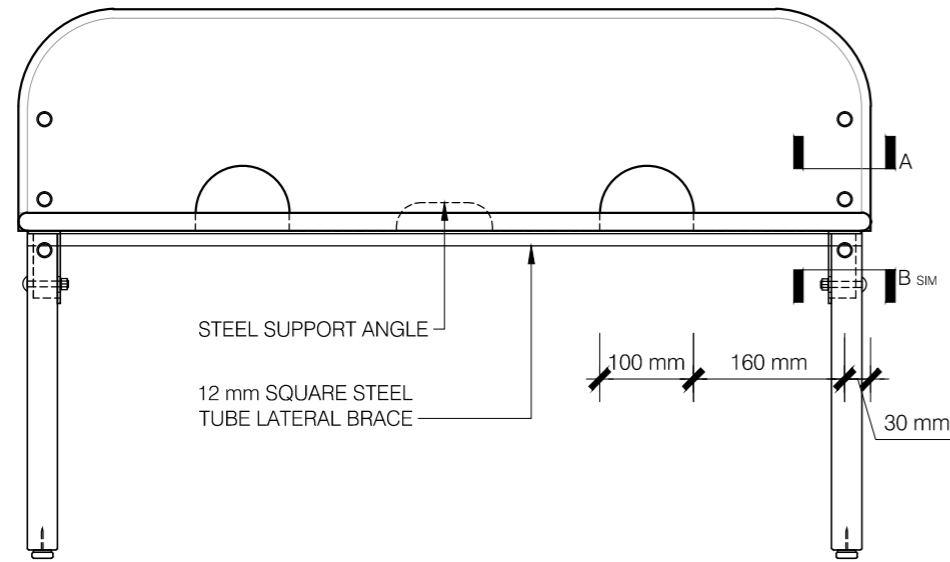
PLAN - DOUBLE

02 MEDIUM (M)
1:16 SCALE

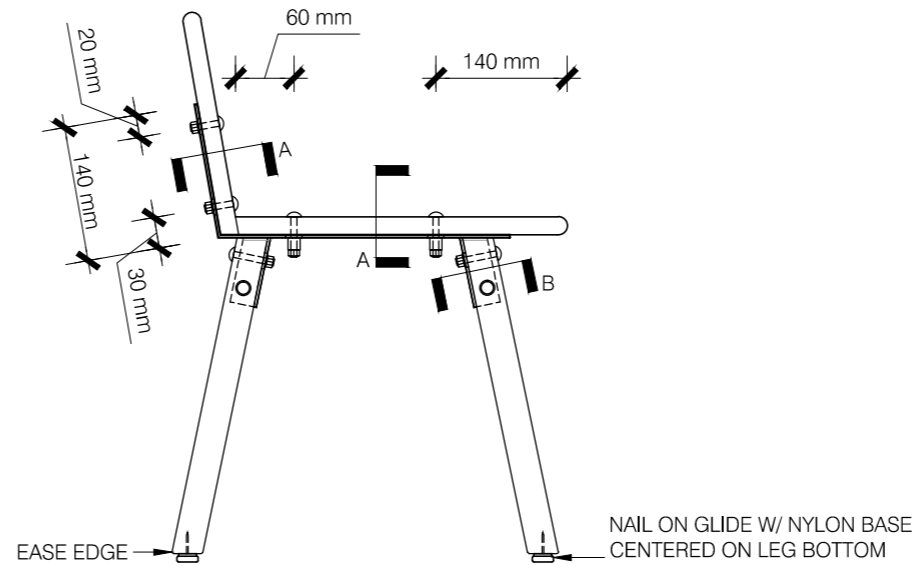


PLAN - DOUBLE

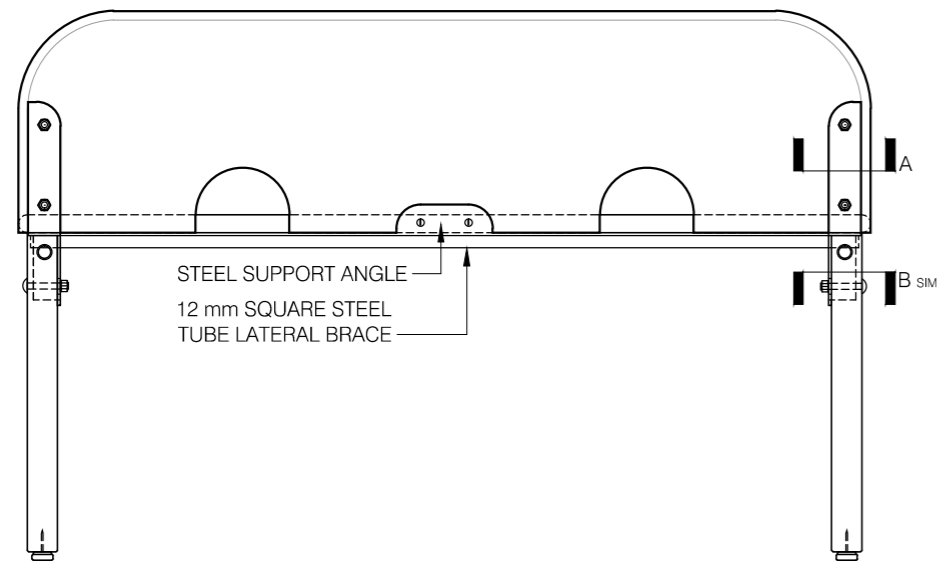
03 LARGE (L)
1:16 SCALE



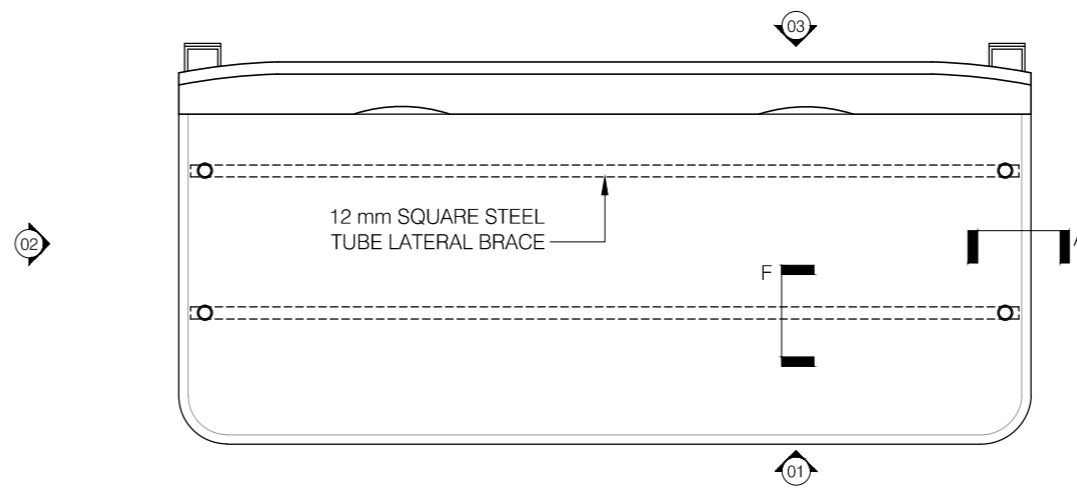
01 BENCH FRONT ELEVATION
1:8 SCALE



02 BENCH SIDE ELEVATION
1:8 SCALE

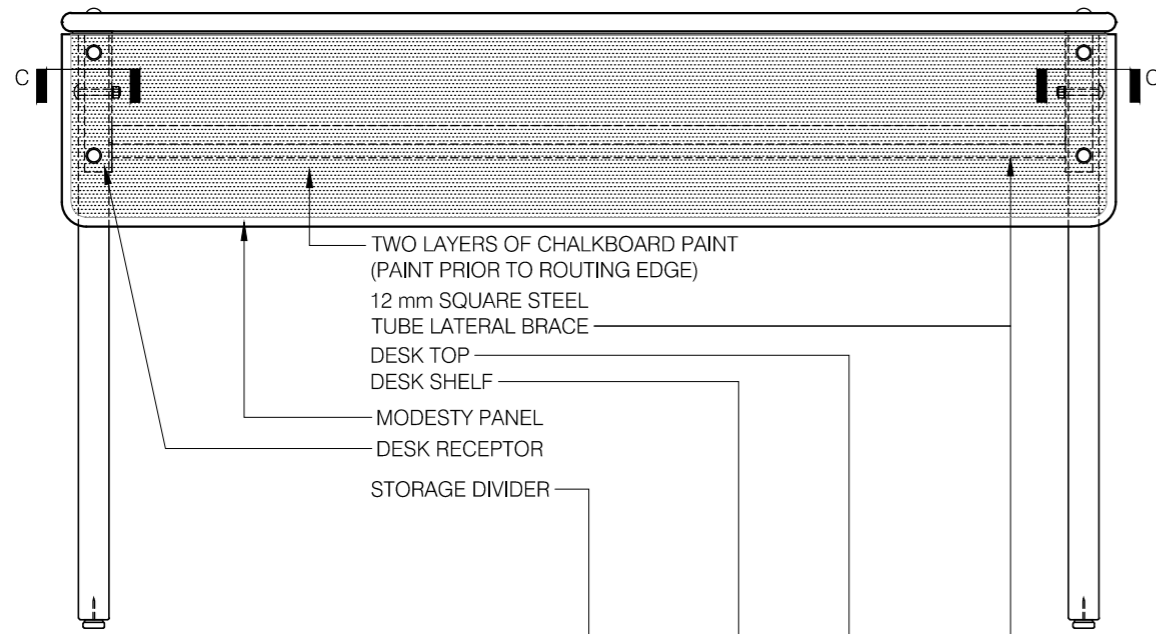


03 BENCH REAR ELEVATION
1:8 SCALE

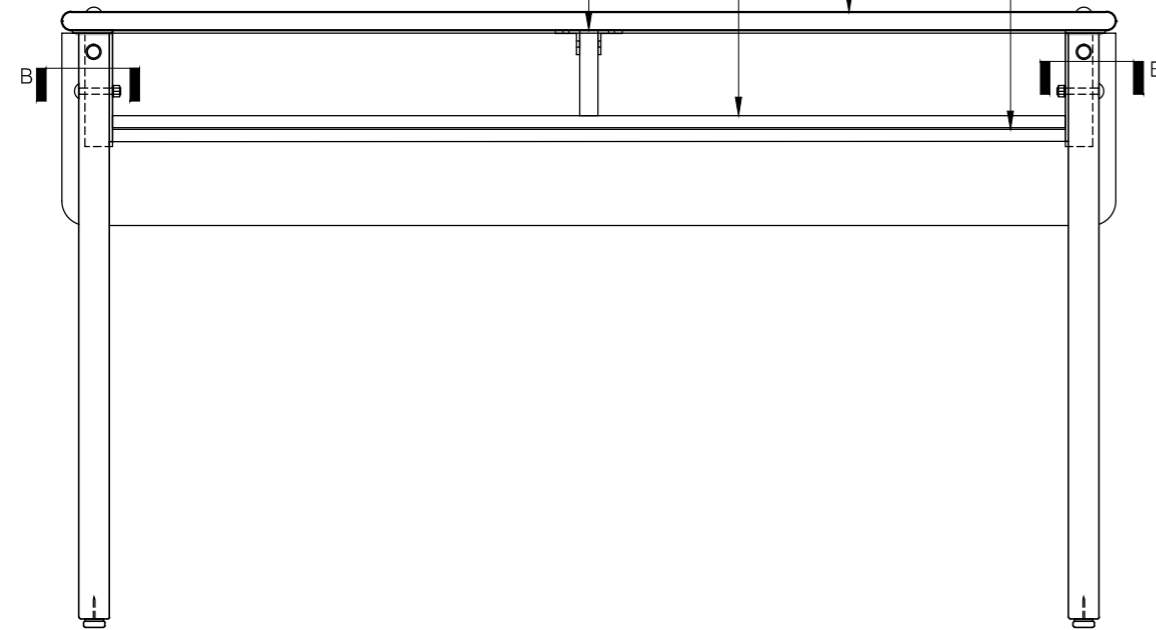


04 BENCH PLAN
1:8 SCALE

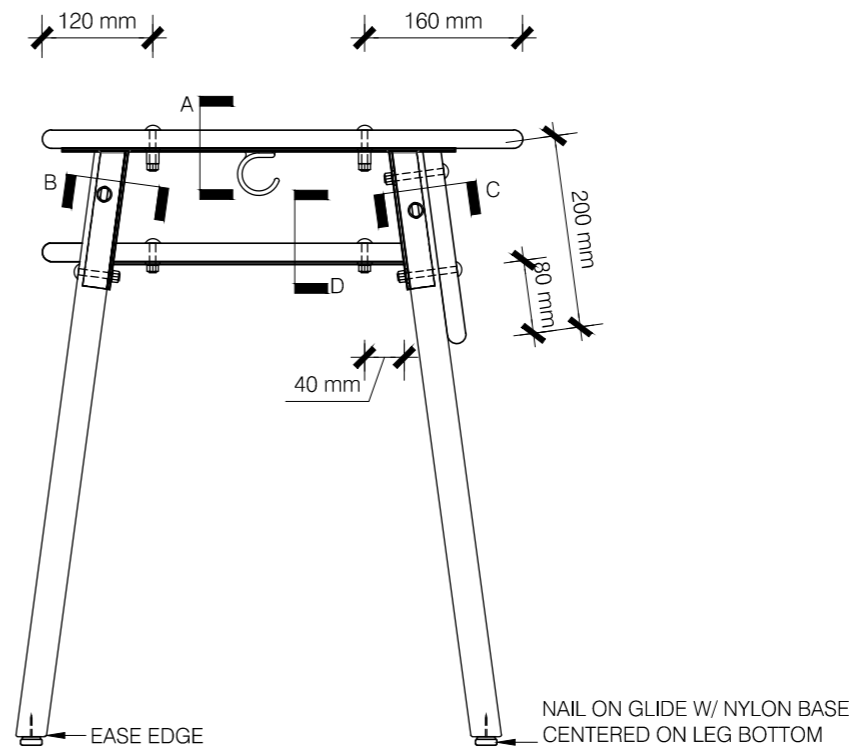
NOTE: REFER TO DRAWING RB-2 FOR OVERALL FURNITURE DIMENSIONS FOR SMALL, MEDIUM AND LARGE UNITS.
REFER TO DRAWING RB-9 FOR DETAILS "A, B & F"



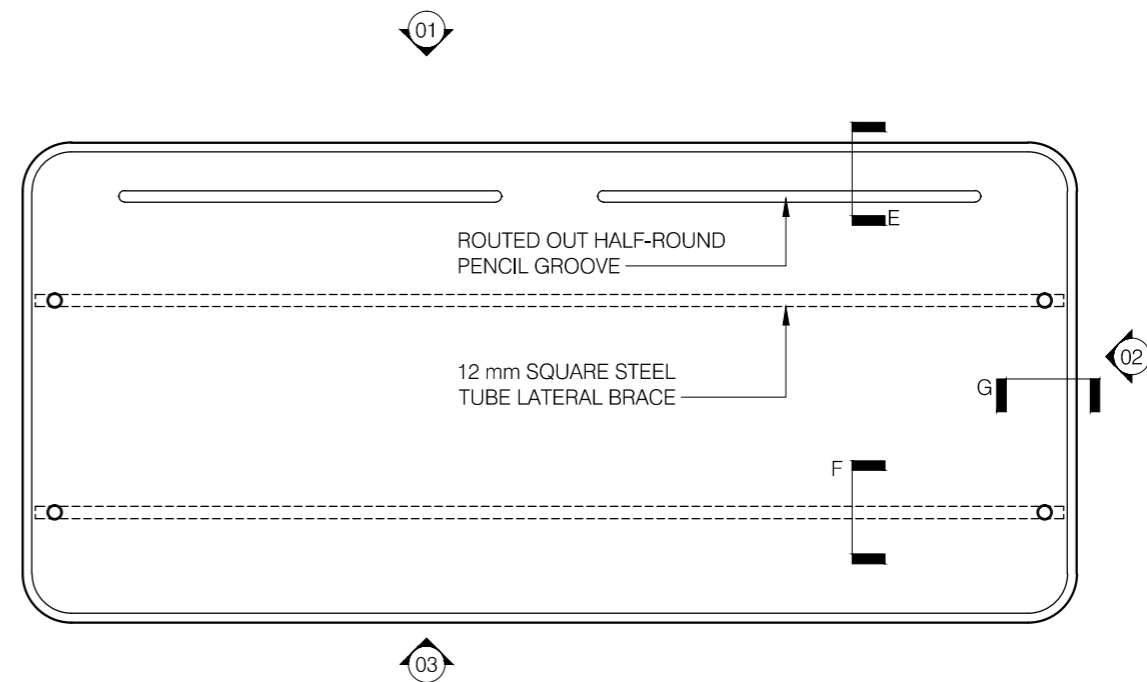
01 DOUBLE DESK FRONT ELEVATION
1:8 SCALE



03 DOUBLE DESK BACK ELEVATION
1:8 SCALE

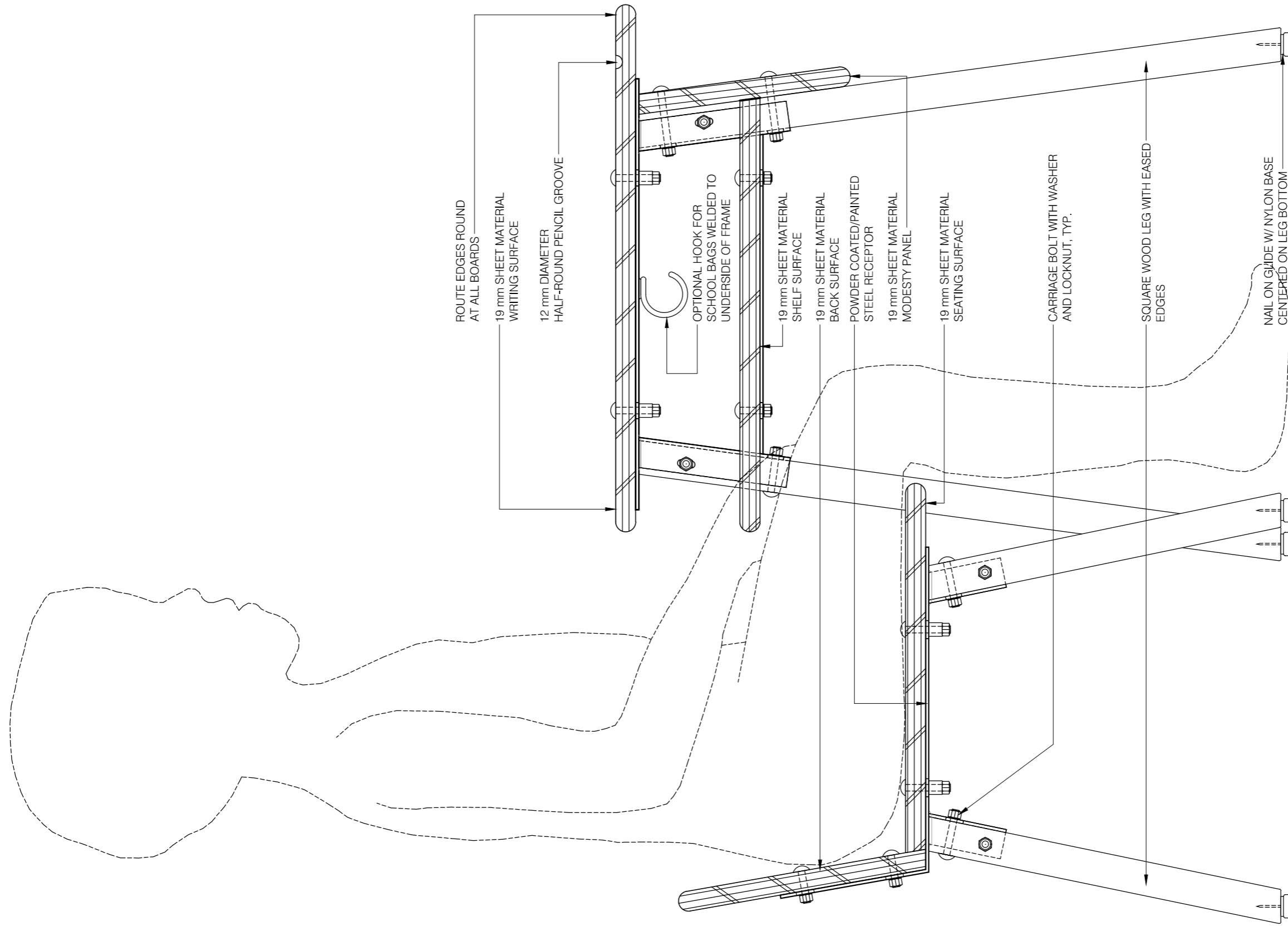


02 DOUBLE DESK SIDE ELEVATION
1:8 SCALE

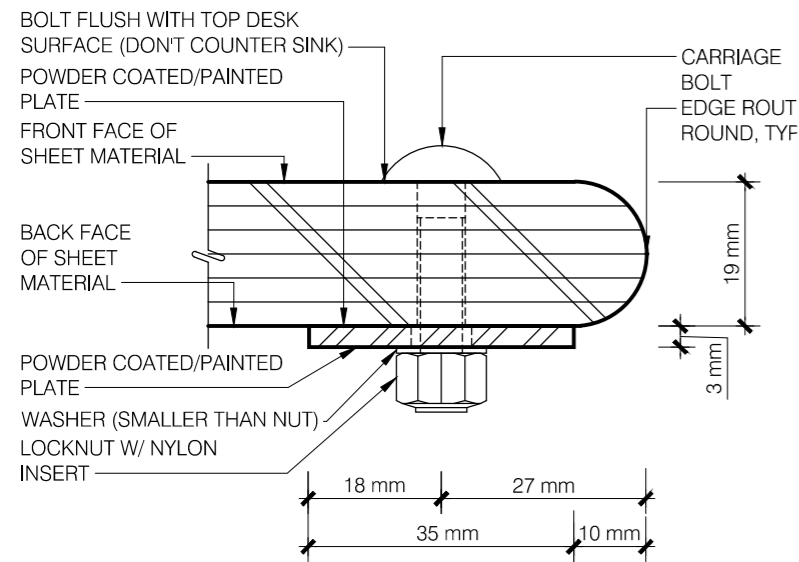


04 DOUBLE DESK PLAN
1:8 SCALE

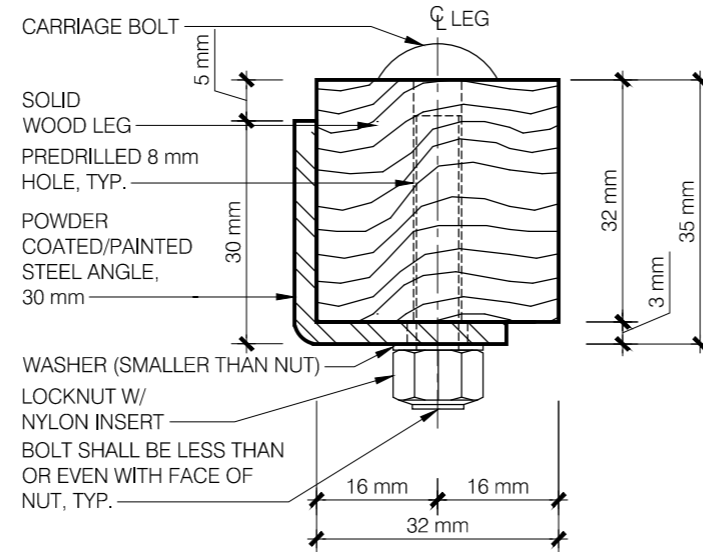
NOTE: REFER TO DRAWING RB-2 FOR OVERALL FURNITURE DIMENSIONS FOR SMALL, MEDIUM AND LARGE UNITS.
REFER TO DRAWING RB-9 FOR DETAILS "A,B,C,D,E,F"



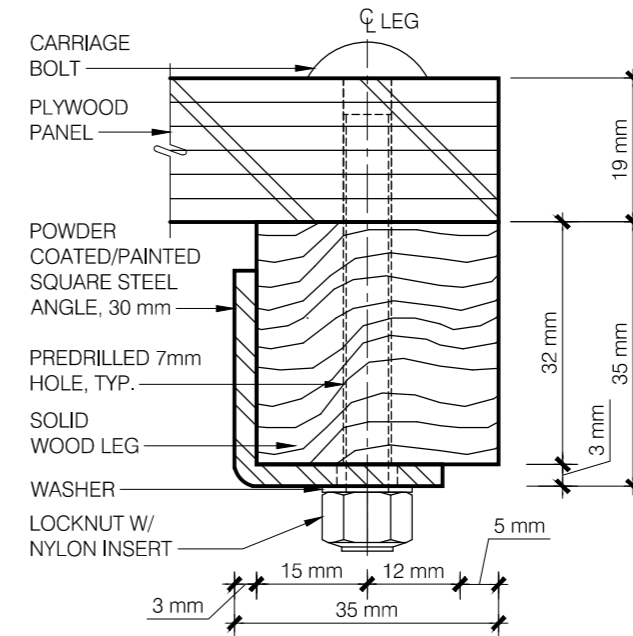
01 BENCH AND DOUBLE DESK SECTION
1:4 SCALE



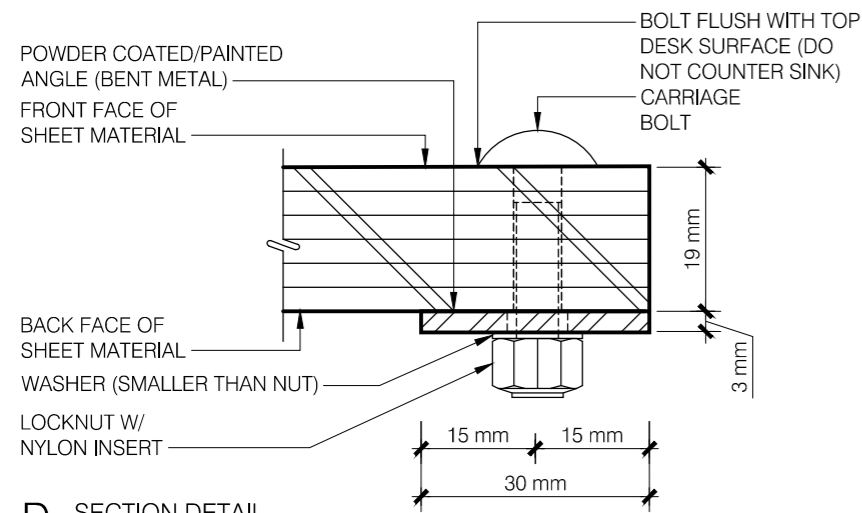
A SECTION DETAIL
1:1 SCALE



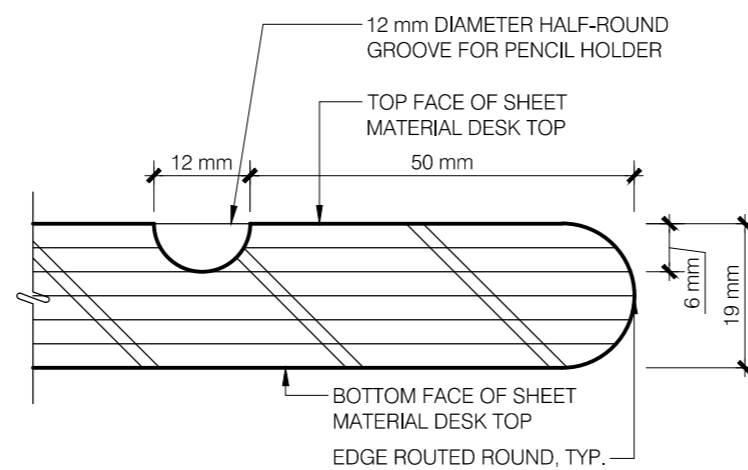
B SECTION DETAIL
1:1 SCALE



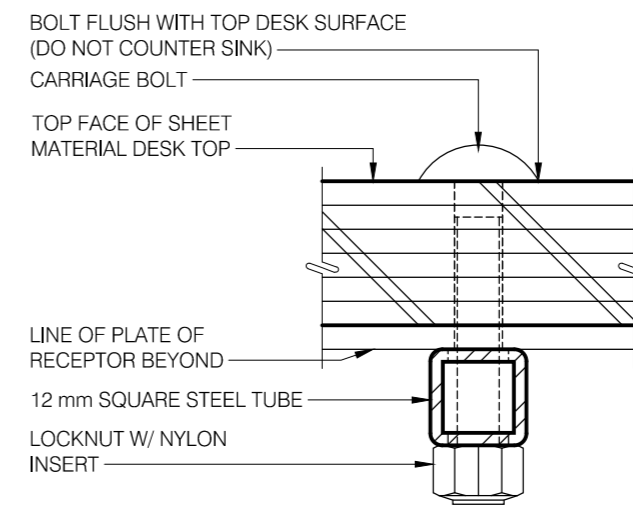
C SECTION DETAIL
1:1 SCALE



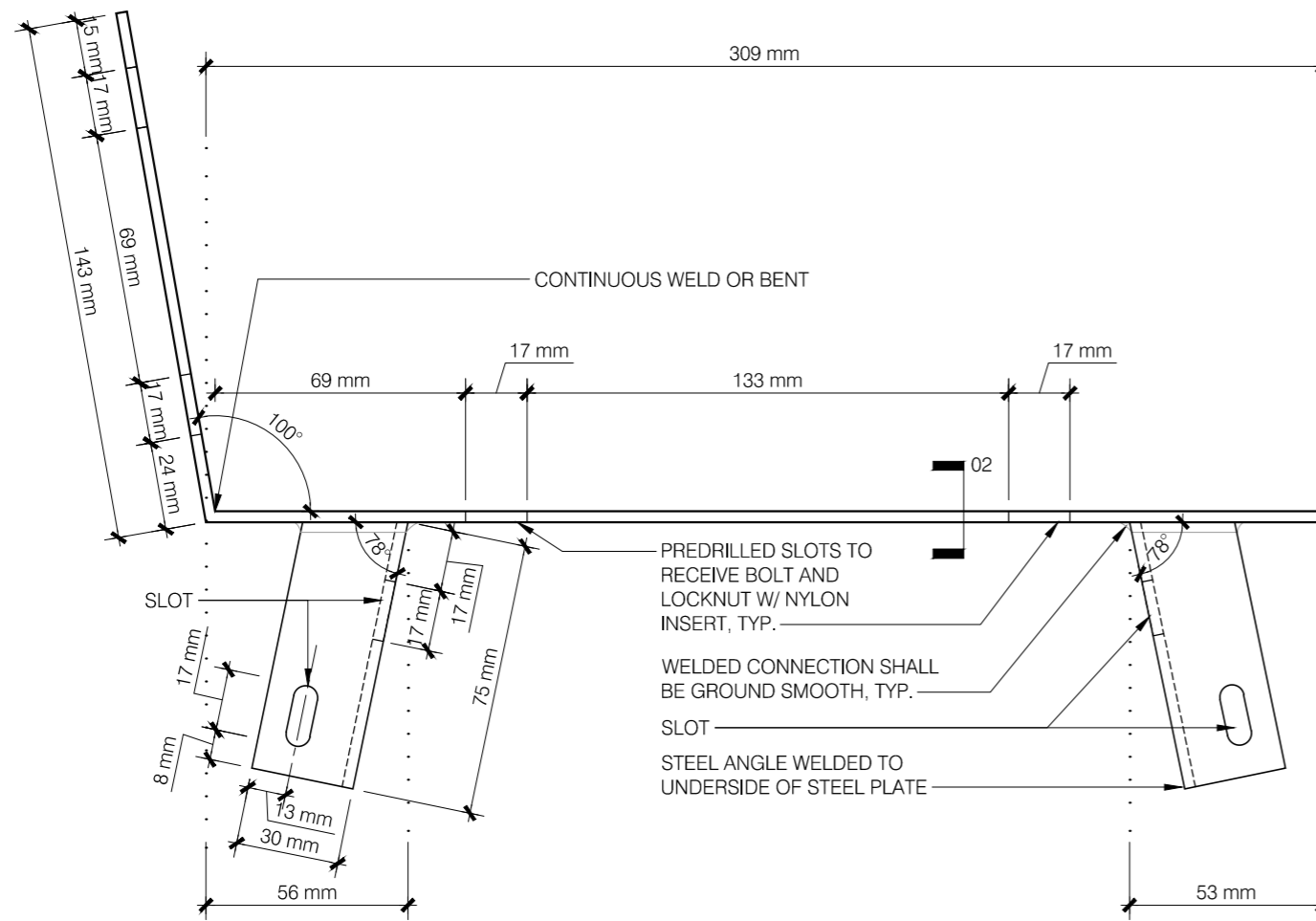
D SECTION DETAIL
1:1 SCALE



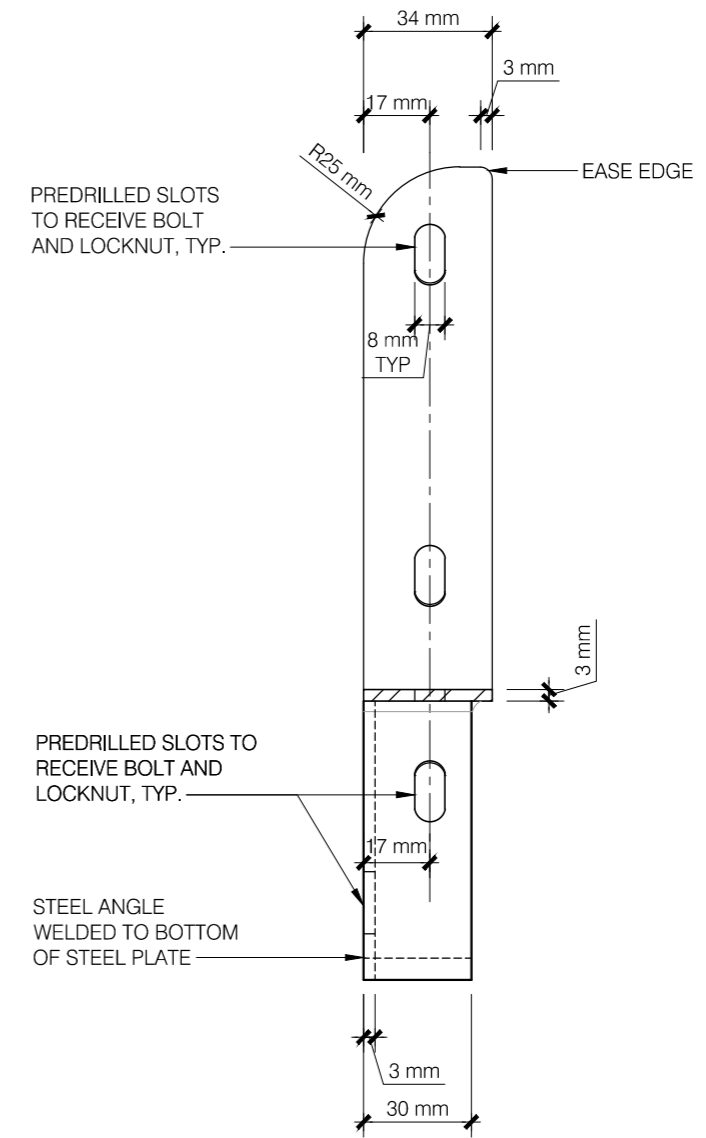
E SECTION DETAIL - DESK TOP
1:1 SCALE



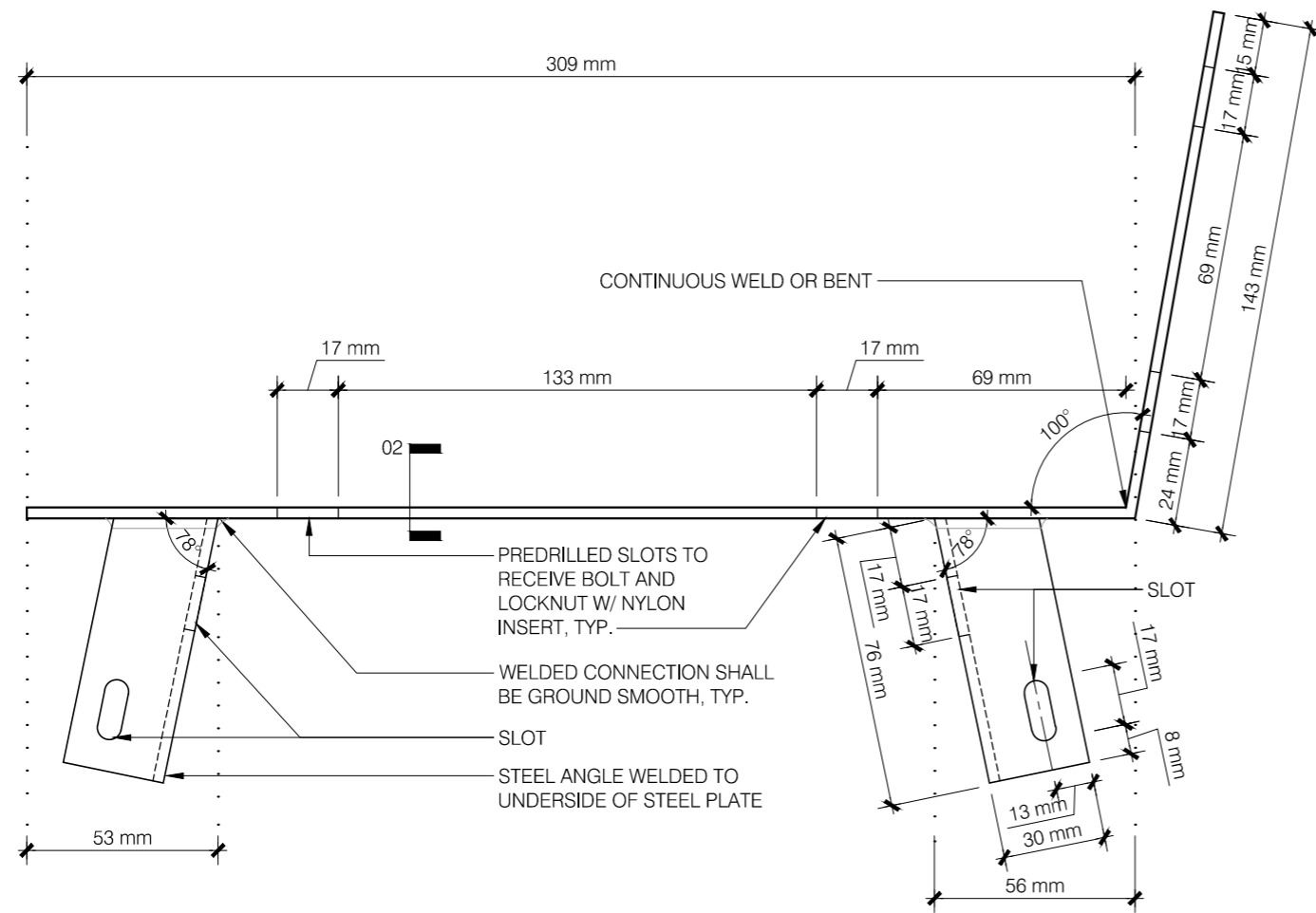
F SECTION DETAIL
1:1 SCALE



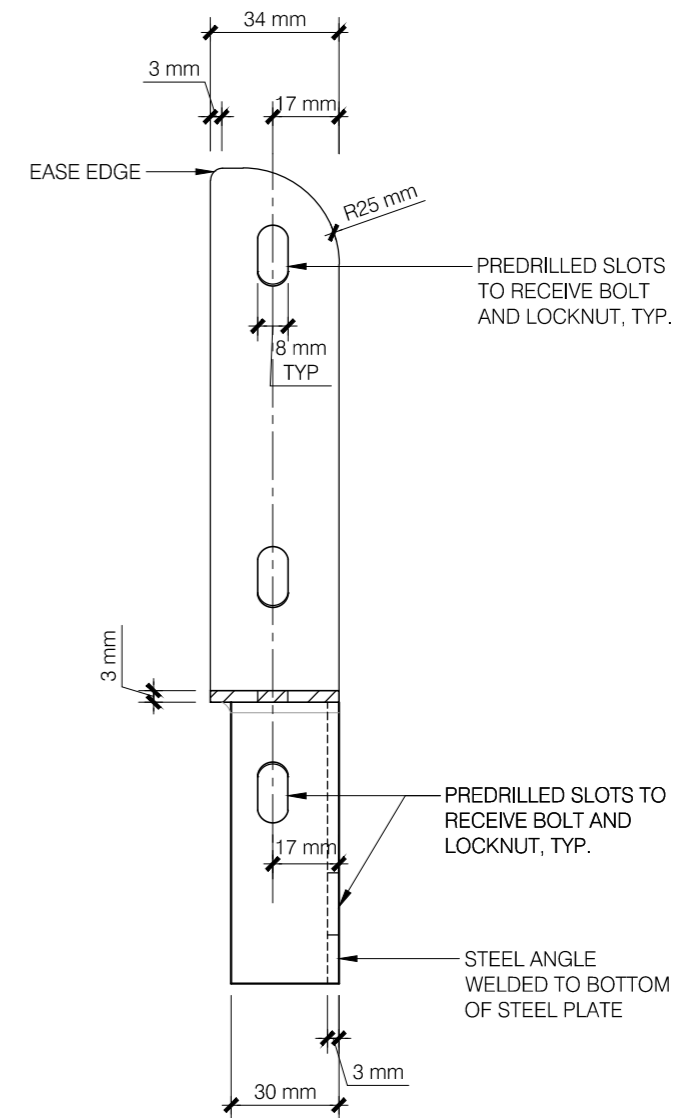
01 BENCH RIGHT SIDE RECEPTOR ELEVATION
1:2 SCALE



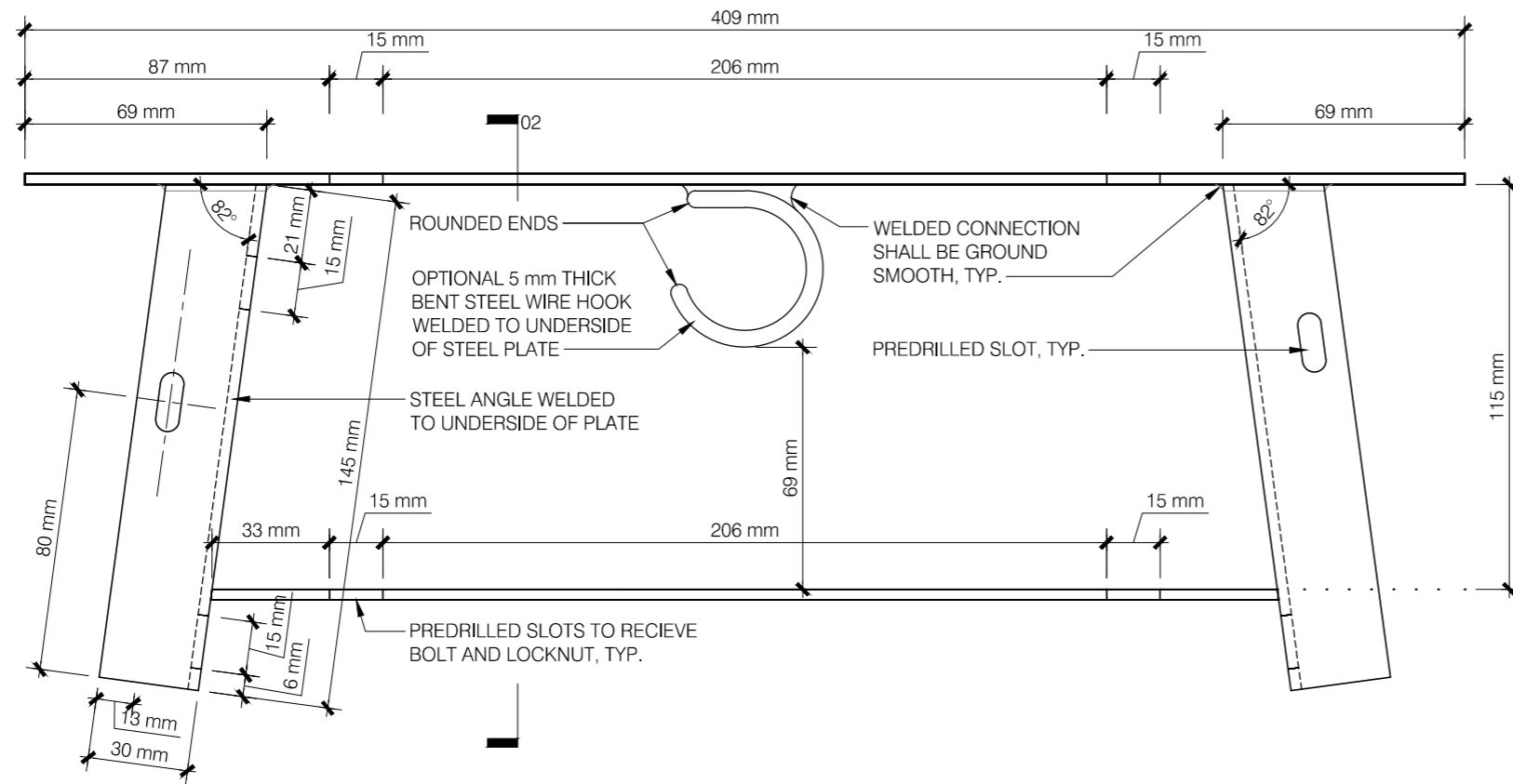
02 BENCH RIGHT SIDE RECEPTOR SECTION
1:2 SCALE



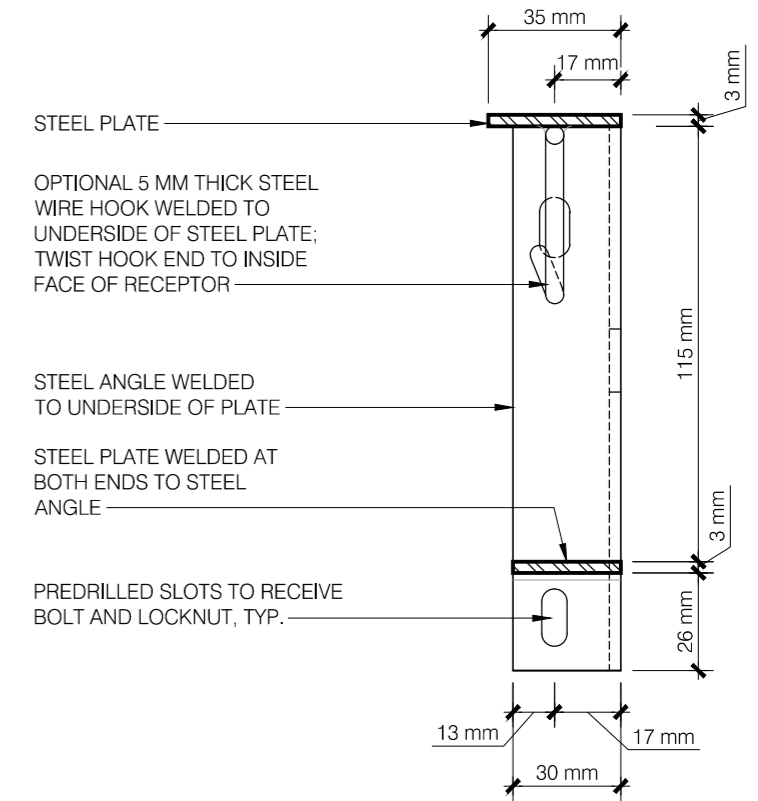
01 BENCH LEFT RECEPTOR ELEVATION
1:2 SCALE



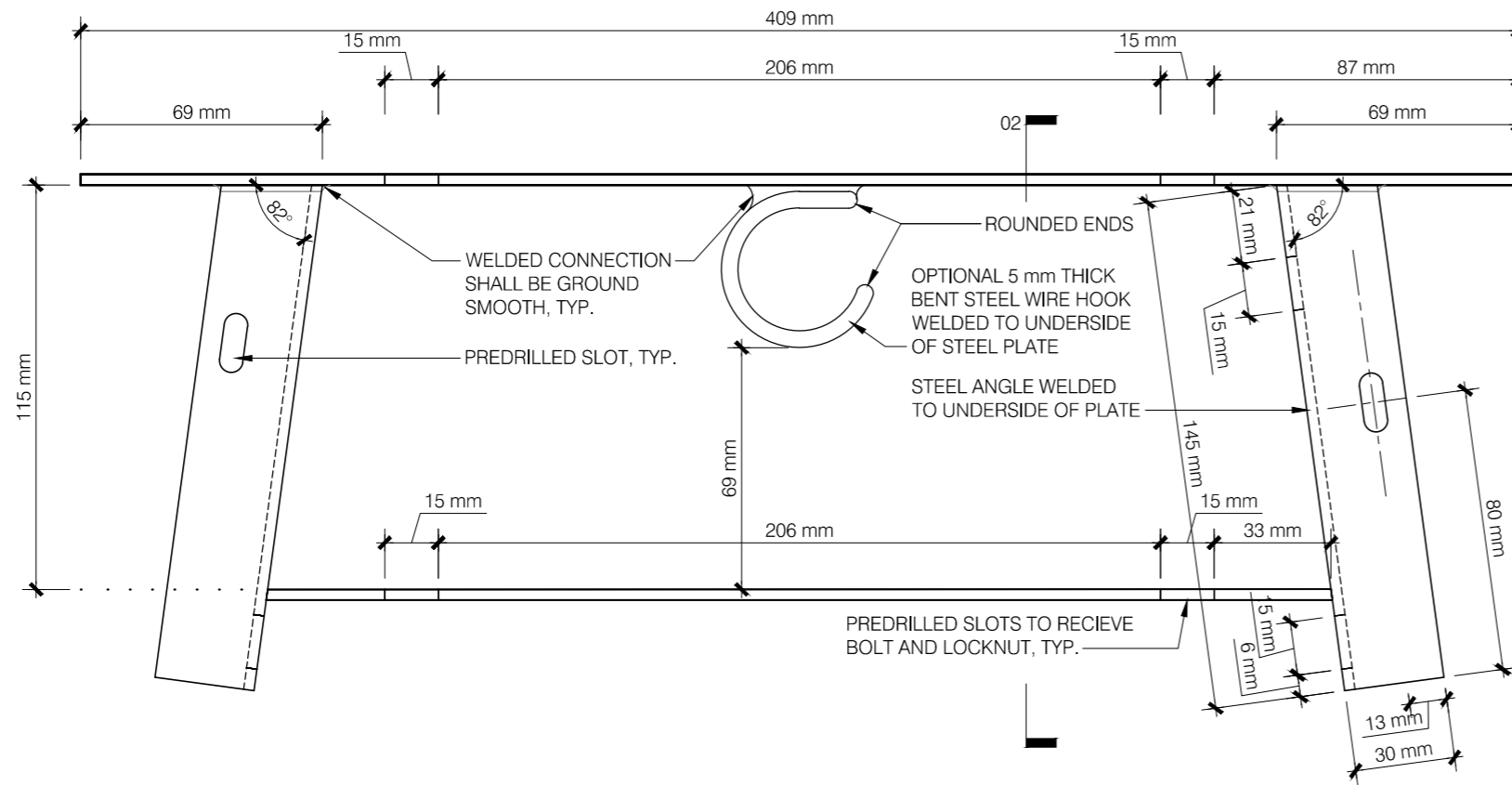
02 BENCH LEFT RECEPTOR SECTION
1:2 SCALE



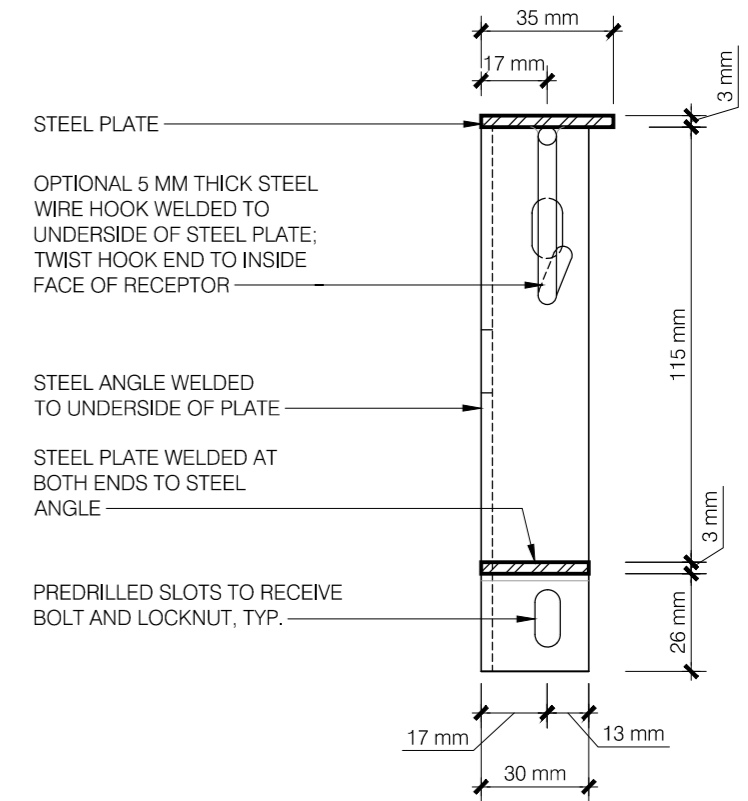
01 DESK LEFT SIDE RECEPTOR ELEVATION
1:2 SCALE



02 DESK LEFT SIDE RECEPTOR SECTION
1:2 SCALE

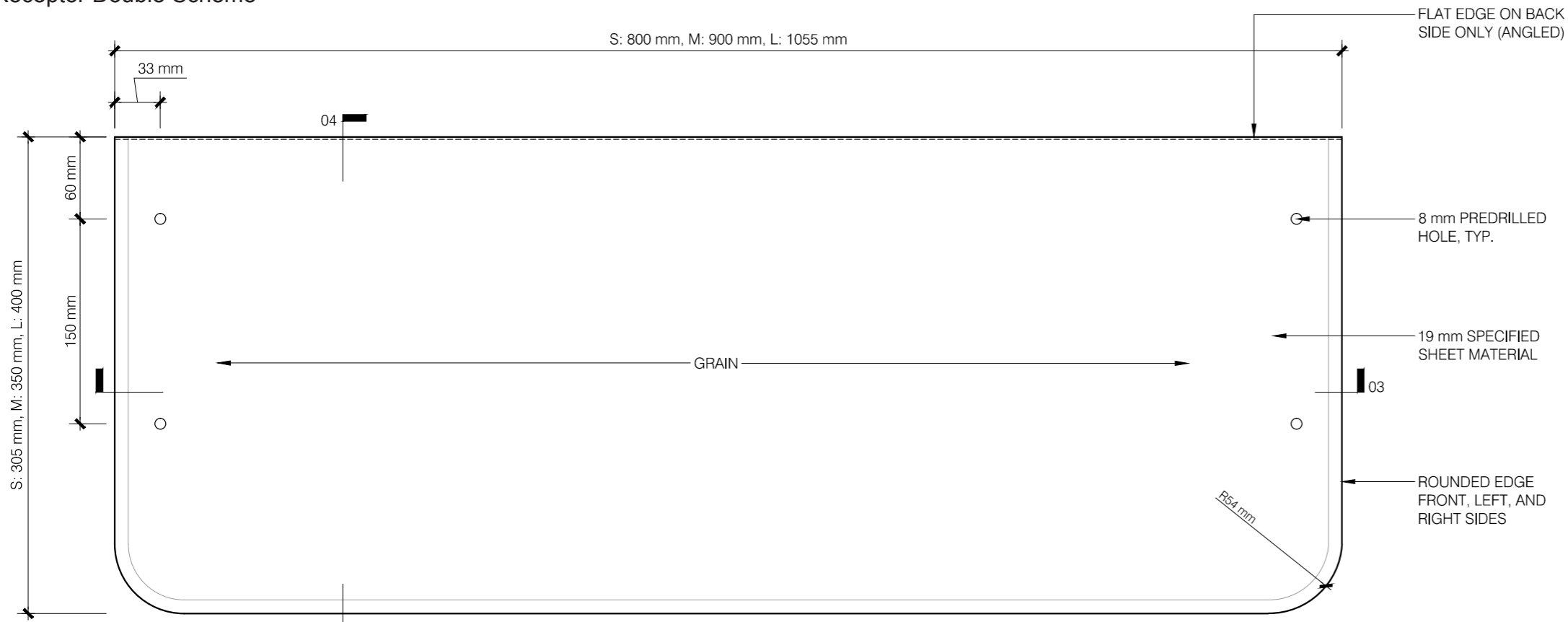


01 DESK RIGHT SIDE RECEPTOR ELEVATION
1:2 SCALE

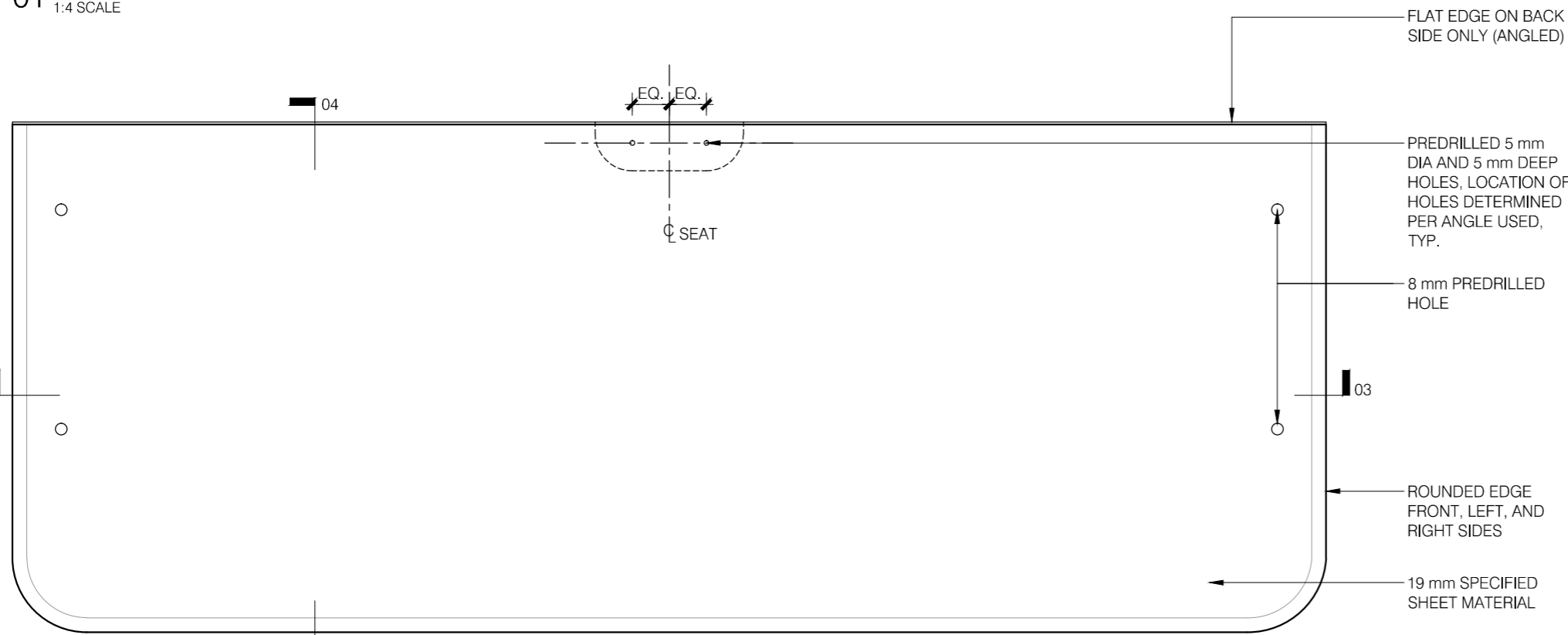


02 DESK RIGHT SIDE RECEPTOR SECTION
1:2 SCALE

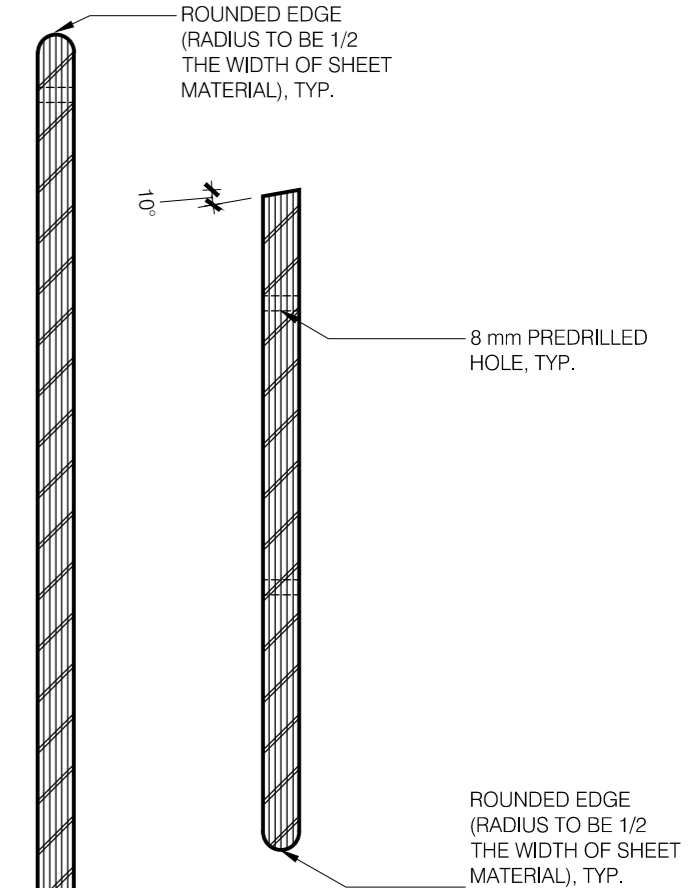
Receptor Double Scheme



01 BENCH SEAT TOP PLAN
1:4 SCALE



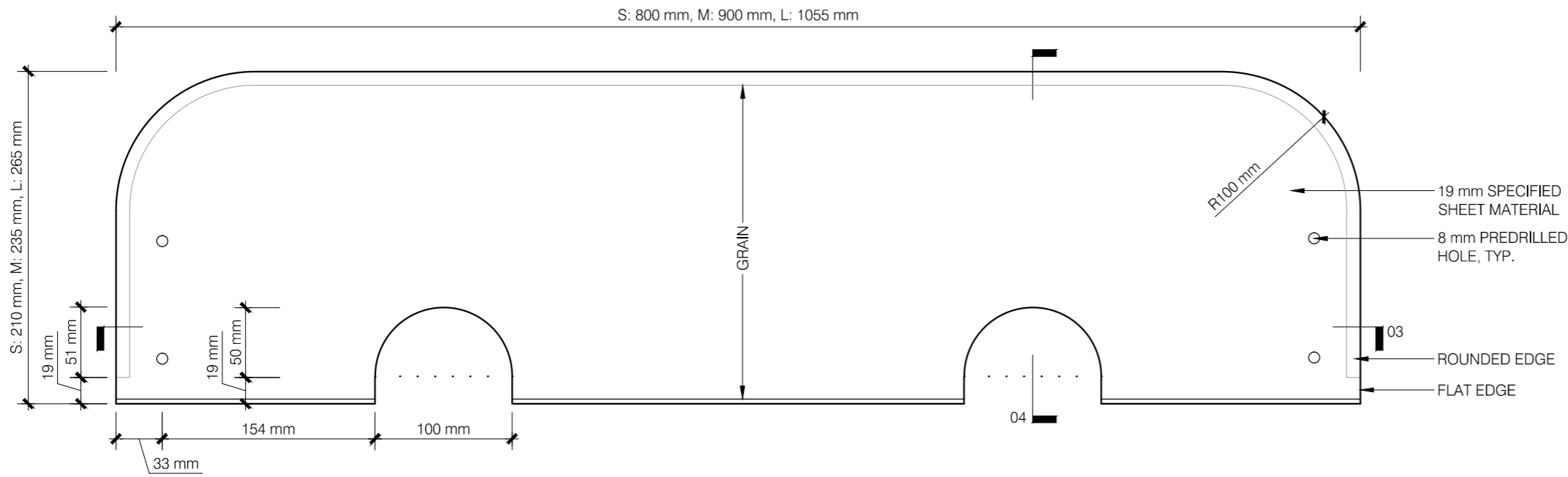
02 BENCH SEAT REFLECTED PLAN
1:4 SCALE



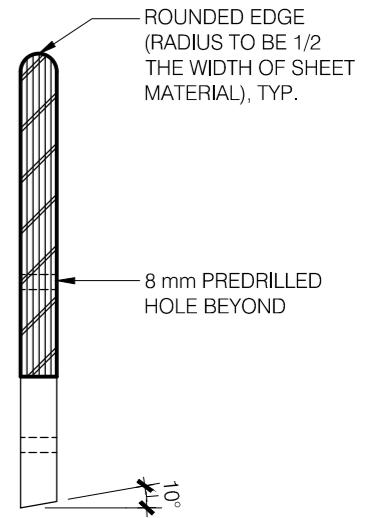
04 CHAIR SEAT TOP SECTION
1:4 SCALE

03 CHAIR SEAT TOP SECTION
1:4 SCALE

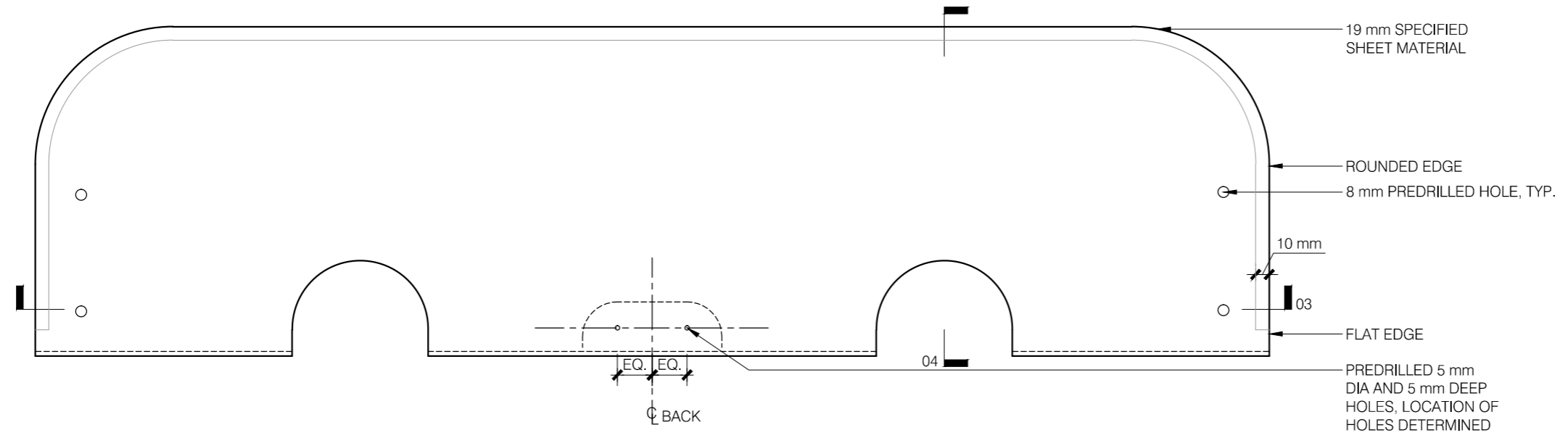
Receptor Double Scheme



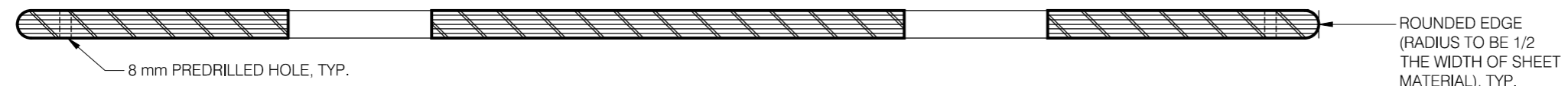
01 BENCH BACK FRONT ELEVATION
1:4 SCALE



04 BENCH BACK SECTION
1:4 SCALE

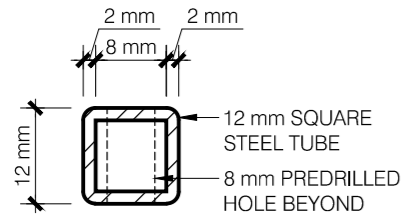


02 BENCH BACK BACK ELEVATION
1:4 SCALE

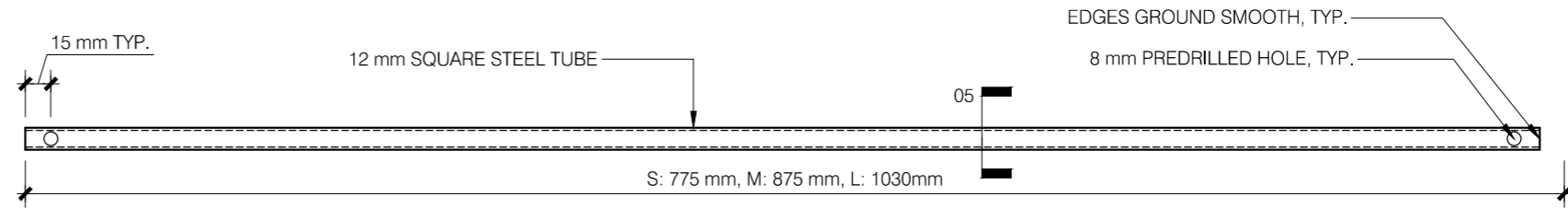


03 CHAIR BACK SECTION
1:4 SCALE

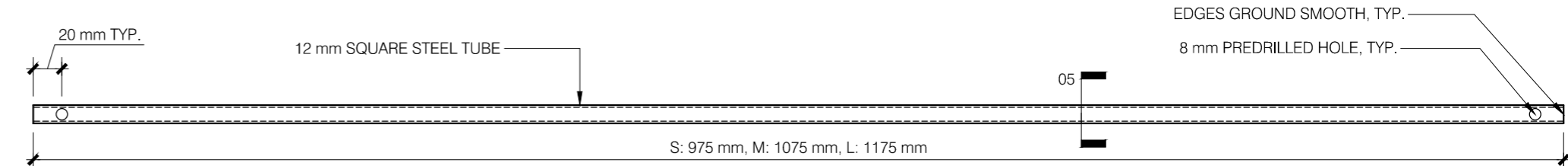
Receptor Double Scheme



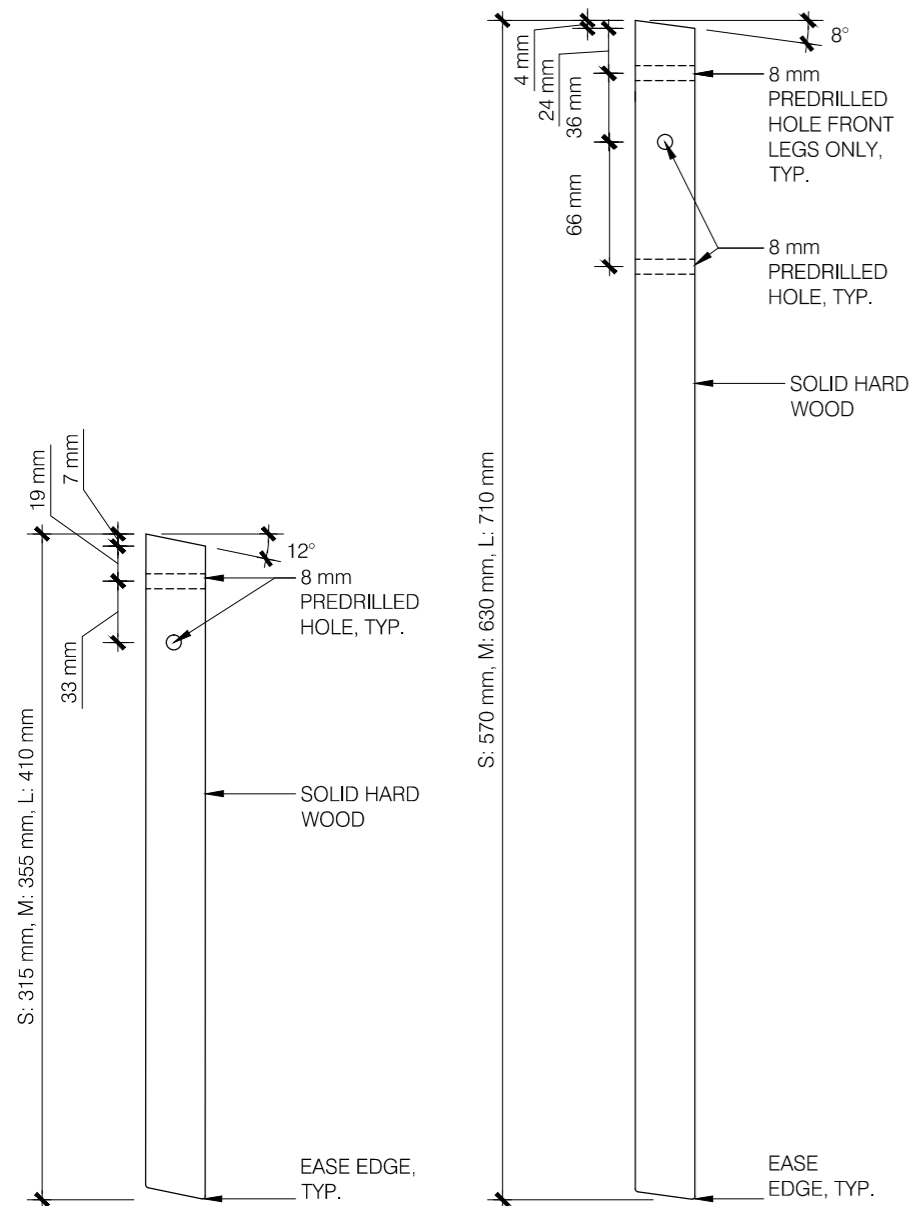
05 SECTION DETAIL
1:1 SCALE



03 BENCH STEEL TUBE REINFORCEMENT BAR
1:4 SCALE

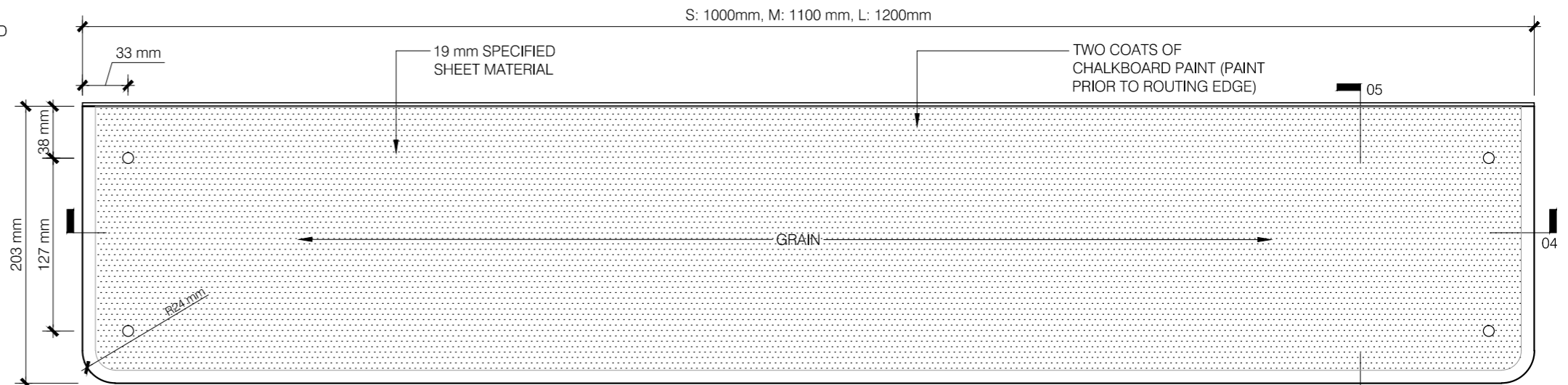


04 DOUBLE DESK STEEL TUBE REINFORCEMENT BAR
1:4 SCALE

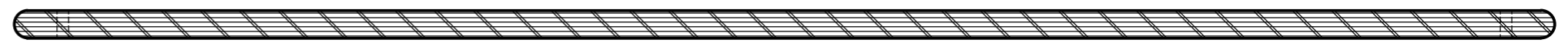


01 BENCH LEG - ELEVATION
1:4 SCALE

02 DESK LEG - ELEVATION
1:4 SCALE

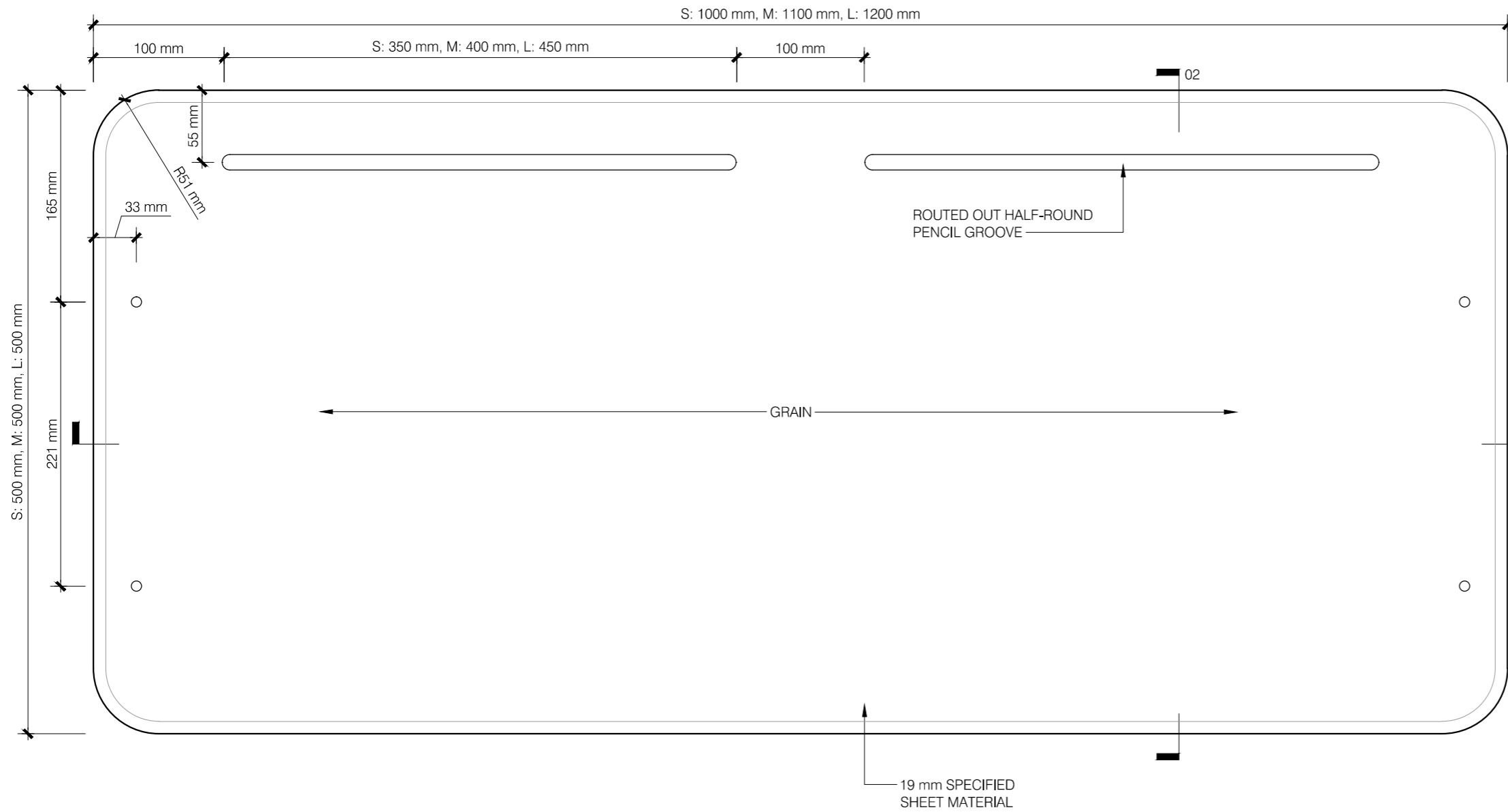


06 DOUBLE DESK MODESTY PANEL ELEVATION
1:4 SCALE

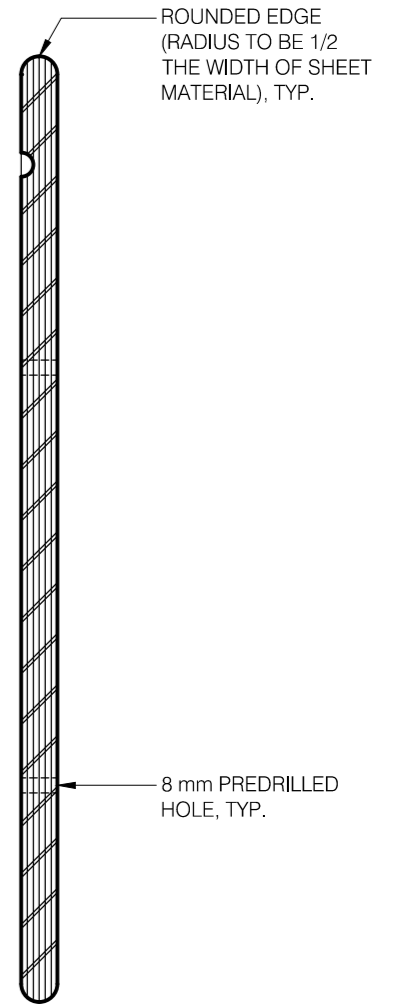


07 DOUBLE DESK MODESTY PANEL SECTION
1:4 SCALE

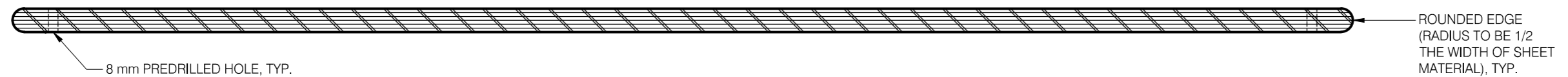
Receptor Double Scheme



01 DOUBLE DESK TOP PLAN
1:4 SCALE



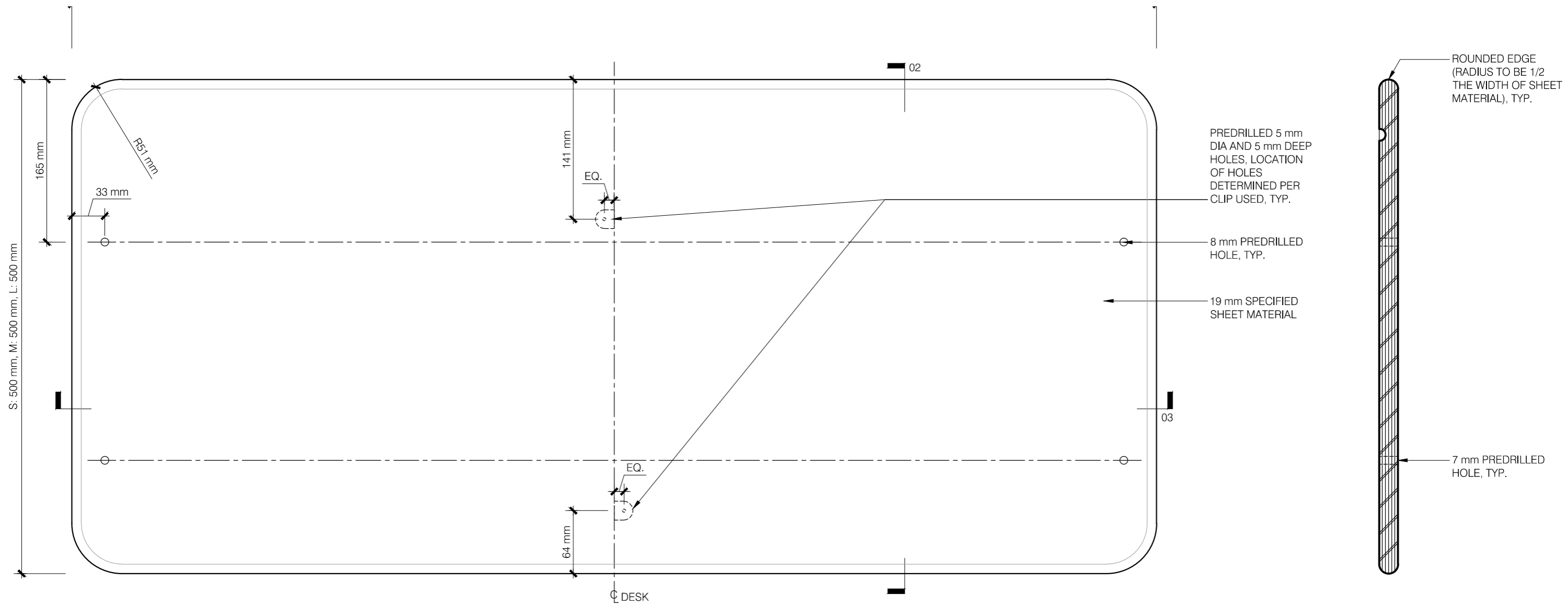
02 DOUBLE DESK TOP SECTION
1:4 SCALE



03 DOUBLE DESK TOP SECTION
1:4 SCALE

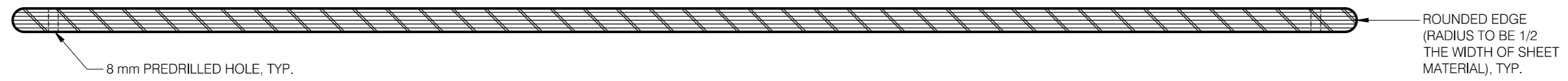
Scale
1:4
Date
26 August 2015

Receptor Double Scheme



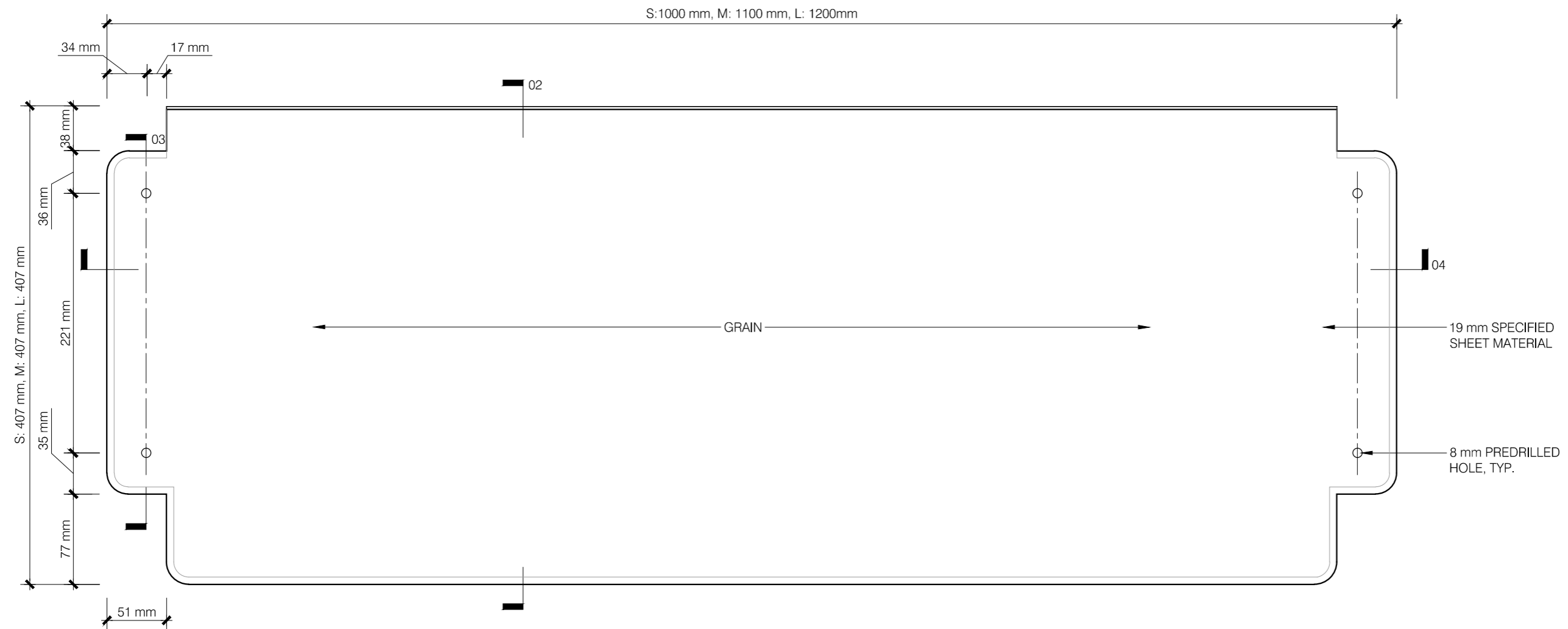
01 DOUBLE DESK TOP REFLECTED PLAN
1:4 SCALE

02 DOUBLE DESK TOP SECTION
1:4 SCALE

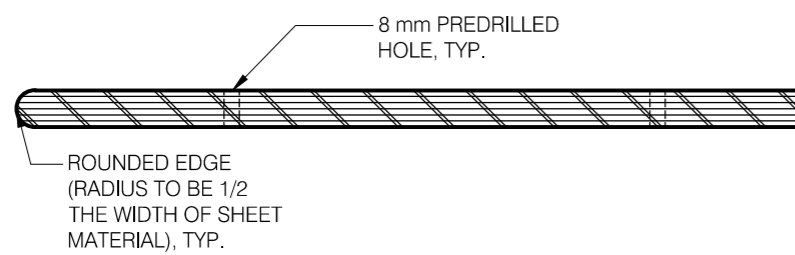


03 DOUBLE DESK TOP SECTION
1:4 SCALE

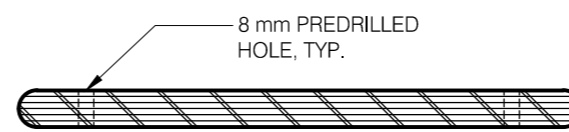
Scale
1:4
Date
26 August 2015



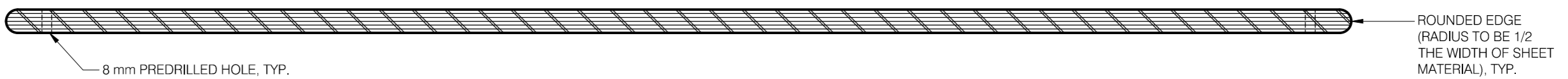
01 DOUBLE DESK SHELF PLAN
1:4 SCALE

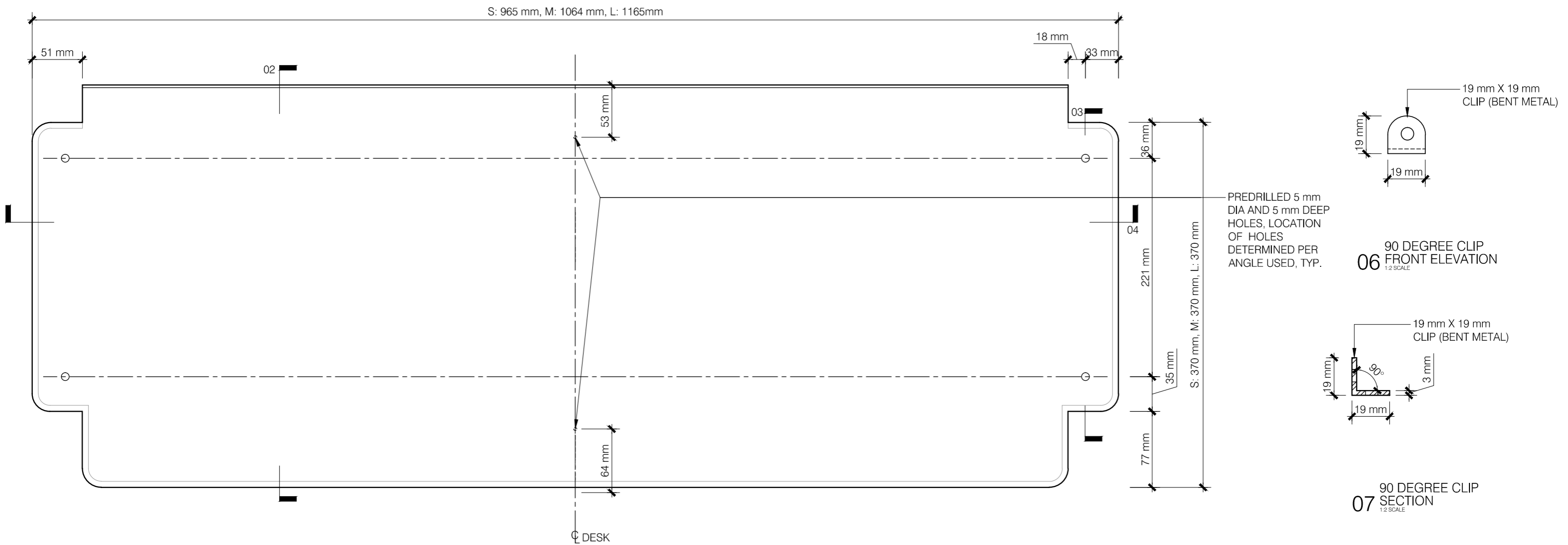


02 DOUBLE DESK SHELF SECTION
1:4 SCALE

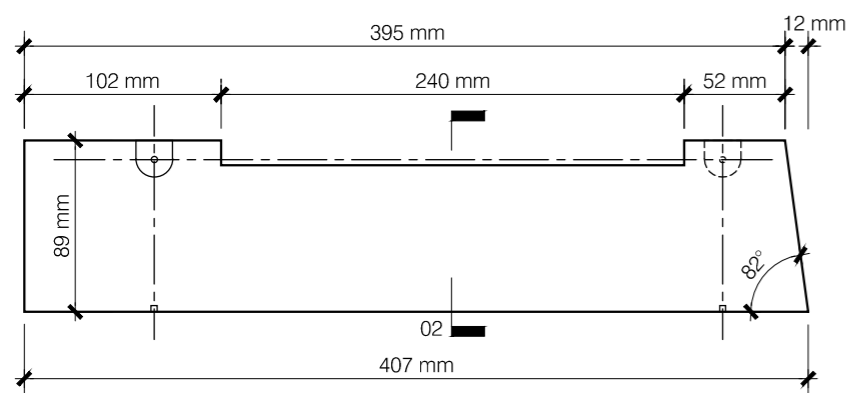


03 DOUBLE DESK SHELF SECTION
1:4 SCALE





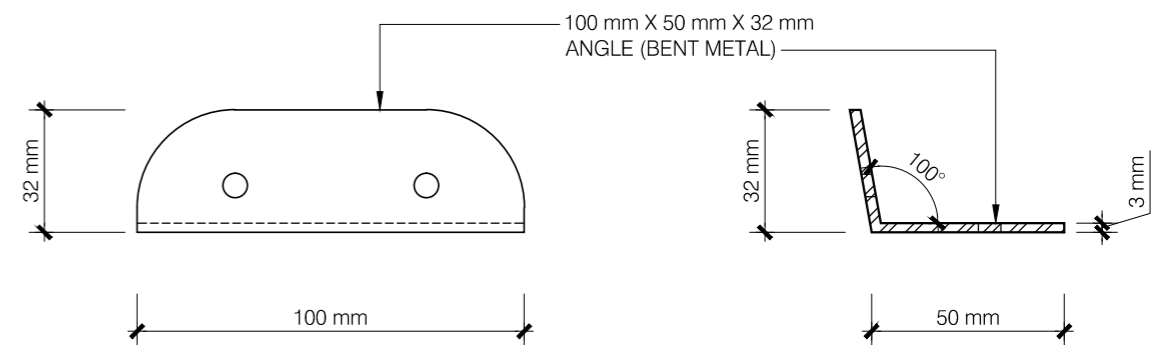
01 DOUBLE DESK SHELF REFLECTED PLAN (UNDERSIDE)
1/4 SCALE



02 DOUBLE DESK SHELF DIVIDER ELEVATION
1/4 SCALE

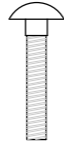
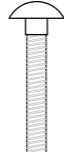




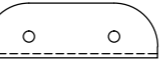










03 DOUBLE DESK SHELF DIVIDER SECTION
1/4 SCALE



04 100 DEGREE SUPPORT ANGLE FRONT ELEVATION
1/2 SCALE

05 SUPPORT ANGLE SECTION
1/2 SCALE

HARDWARE REQUIRED FOR ASSEMBLY	
RECEPTOR DOUBLE BENCH	RECEPTOR DOUBLE DESK
 X 6 CARRIAGE BOLT M8 X 35 mm  X 8 CARRIAGE BOLT M8 X 45 mm  X 14 M8 WASHER  X 14 M8 HEX LOCKNUT WITH NYLON INSERT  X 4 22 mm NAIL ON GLIDE W/ NYLON BASE  X 4 14 mm WOOD SCREW  X 1 100° CORNER BRACKET	 X 32 CARRIAGE BOLT M8 X 35 mm  X 24 CARRIAGE BOLT M8 X 45 mm  X 16 CARRIAGE BOLT M8 X 65 mm  X 72 M8 WASHER  X 72 M8 HEX LOCKNUT WITH NYLON INSERT  X 16 22 mm NAIL ON GLIDE W/ NYLON BASE  X 16 14 mm FLAT HEAD WOOD SCREW  X 8 90° CORNER BRACKET

[http://www.grainger.com/product/AMERICAN-GARAGE-DOOR-Carriage-Bolt-5MVD4?s_pp=false&picUri=/static.grainger.com/rp/s/is/image/Grainger/3YHA9_AW99?\\$sthumb\\$](http://www.grainger.com/product/AMERICAN-GARAGE-DOOR-Carriage-Bolt-5MVD4?s_pp=false&picUri=/static.grainger.com/rp/s/is/image/Grainger/3YHA9_AW99?$sthumb$)



[http://www.grainger.com/product/Steel-SAE-Washer-WP119355/_/N-/Ntt-flat+washer+zinc+plated?nls=0&sst=subset&s_pp=false&picUri=/static.grainger.com/rp/s/is/image/Grainger/29DJ14_AS01?\\$sthumb\\$](http://www.grainger.com/product/Steel-SAE-Washer-WP119355/_/N-/Ntt-flat+washer+zinc+plated?nls=0&sst=subset&s_pp=false&picUri=/static.grainger.com/rp/s/is/image/Grainger/29DJ14_AS01?$sthumb$)



[http://www.grainger.com/product/3HDU1?cm_sp=HIO-_-HIDP-_-BTM_V2V&cm_vc=IDPBVZ12&zoned=IDPBTZ12\\$](http://www.grainger.com/product/3HDU1?cm_sp=HIO-_-HIDP-_-BTM_V2V&cm_vc=IDPBVZ12&zoned=IDPBTZ12$)



<http://www.robertbrooke.com/7-8-nail-on-glide-w-nylon-base.html>

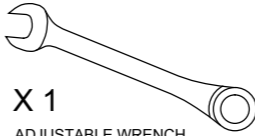
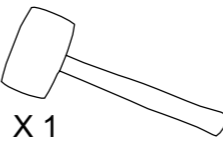
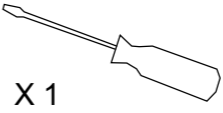
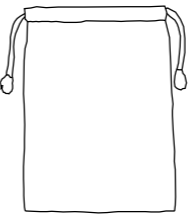
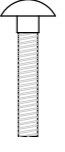
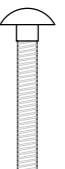






[http://www.grainger.com/product/GRAINGER-APPROVED-Wood-Screw-1KU70?s_pp=false&picUri=/static.grainger.com/rp/s/is/image/Grainger/1KU70_AS02?\\$sthumb\\$](http://www.grainger.com/product/GRAINGER-APPROVED-Wood-Screw-1KU70?s_pp=false&picUri=/static.grainger.com/rp/s/is/image/Grainger/1KU70_AS02?$sthumb$)



<http://www.amazon.com/Stainless-Design-Degree-Corner-Bracket/dp/B008X0FLU8>



ASSEMBLY / REPAIR KIT	
TOOLS	SPARE PARTS (FOR ONE DOUBLE DESK/BENCH UNIT)
 X 1 ADJUSTABLE WRENCH  X 1 RUBBER MALLET  X 1 FLAT HEAD SCREW DRIVER  X 1 FABRIC DRAWSTRING BAG FOR TOOLS AND SPARE PARTS	 X 16 CARRIAGE BOLT M8 X 35 mm  X 16 CARRIAGE BOLT M8 X 45 mm  X 8 CARRIAGE BOLT M8 X 65 mm  X 40 M8 HEX LOCKNUT WITH NYLON INSERT  X 16 22 mm NAIL ON GLIDE W/ NYLON BASE  X 8 14 mm FLAT HEAD WOOD SCREW

NOTE: TWO ASSEMBLY/REPAIR KITS SHALL BE PROVIDED FOR EACH SCHOOL WITH ORDERS BETWEEN 1 AND 200 CHAIR/BENCH AND DESK UNITS. ONE ADDITIONAL KIT SHALL BE PROVIDED FOR EACH 1 TO 100 UNIT INCREMENT.

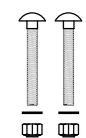
Receptor Double Scheme

STEP 1

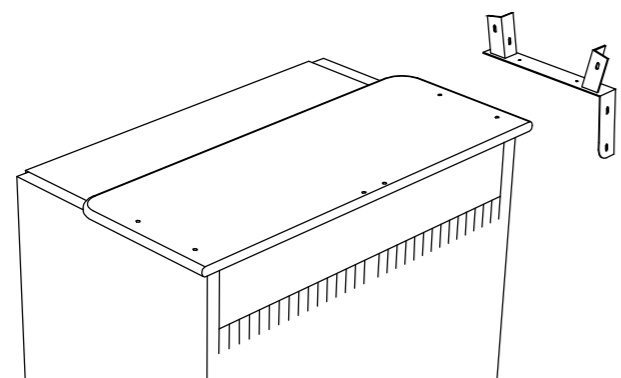
- LAY SEAT TOP ON TABLE OR ELEVATED WORK SURFACE THAT IS PROTECTED BY FABRIC OR OTHER SOFT MATERIAL

- POSITION THE RECEPTOR ON TOP OF THE HOLES

- TAP IN THE BOLTS SO THE HEAD IS FLAT TO THE WOOD AND TIGHTEN NUTS. BE CAREFUL NOT TO TIGHTEN TOO MUCH TO AVOID BREAKING THE WOOD SURFACE.

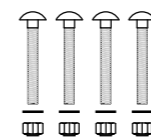
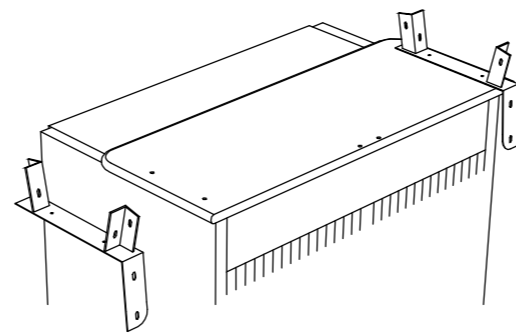


(2x) BOLTS - "F2"



STEP 2

- POSITION THE OTHER RECEPTOR ON TOP OF THE HOLES

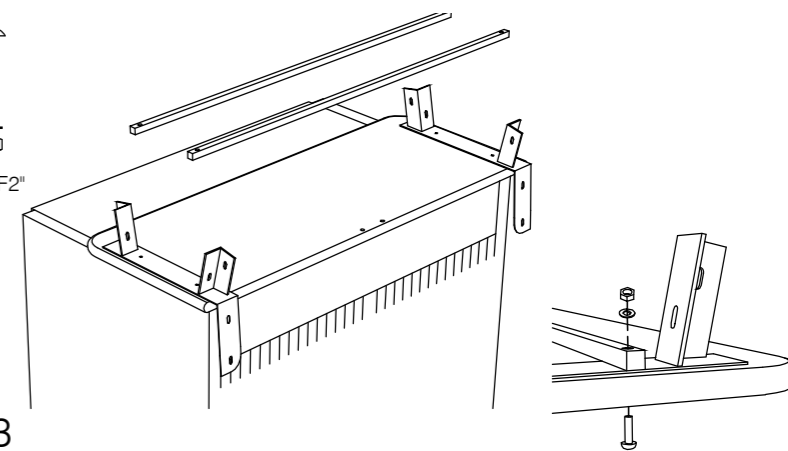


(4x) BOLTS - "F2"

STEP 3

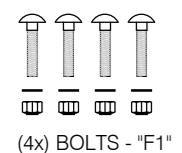
- LAY THE STEEL CROSS BRACE BARS ACROSS THE SPAN OF THE SEAT
- FASTEN THE THREE ELEMENTS WITH THE BOLTS

- TAP IN THE BOLTS SO THE HEAD IS FLAT TO THE WOOD AND TIGHTEN NUTS



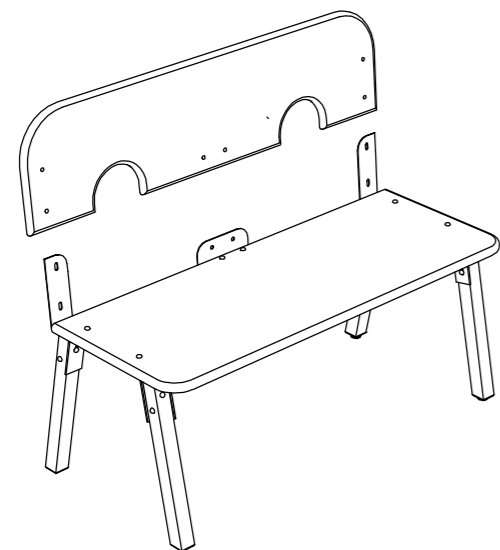
STEP 4

- FASTEN THE WOOD LEG TO THE RECEPTOR



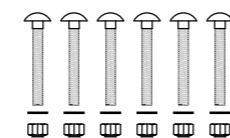
(4x) BOLTS - "F1"

(2x) SCREWS - "F5"

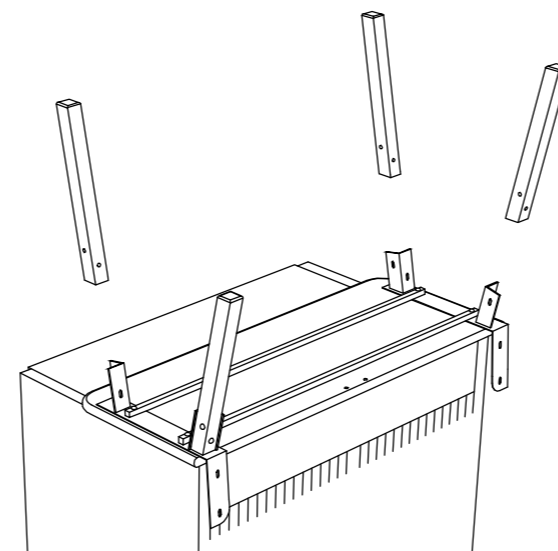


STEP 5

- REPEAT STEP 4 WITH THE REMAINING THREE LEGS



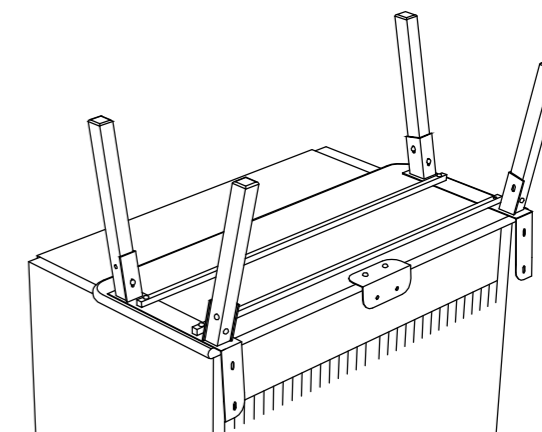
(6x) BOLTS - "F2"



(2x) SCREWS - "F5"

STEP 6

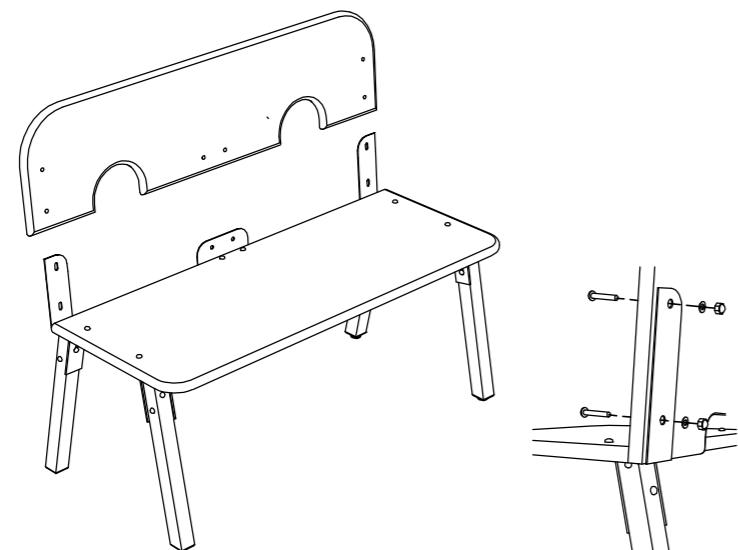
- FASTEN SUPPORT CLIP AT CENTER OF SEAT



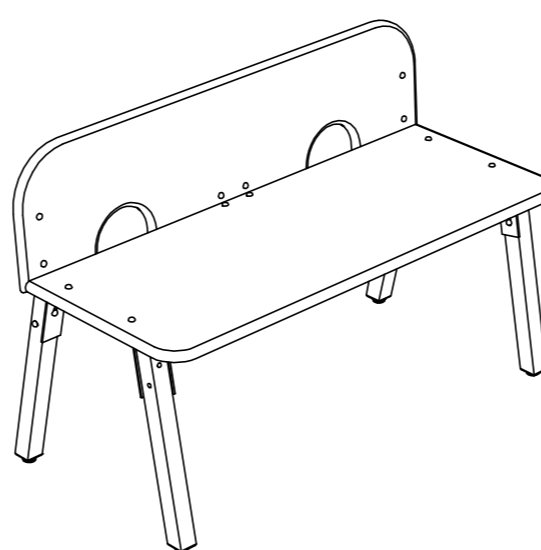
STEP 7

- SET SEAT BACK INTO PLACE

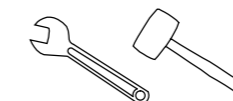
- ENSURE THE ANGLE OF THE RECEPTOR PIECE FITS IN THE SLOT AT THE SEAT BACK



COMPLETE

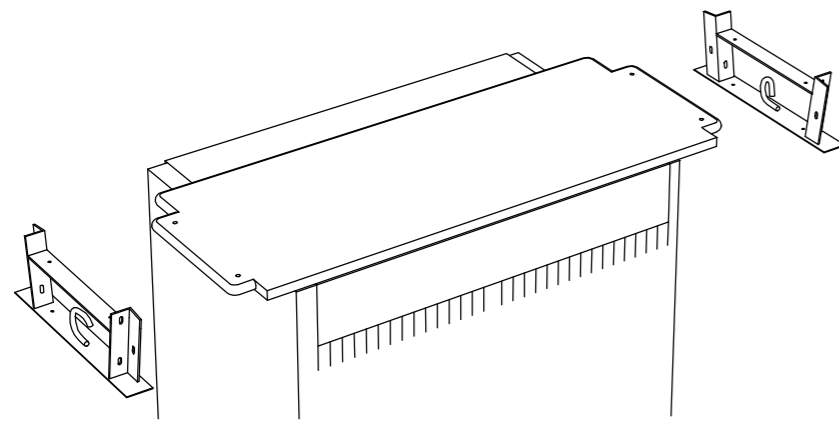
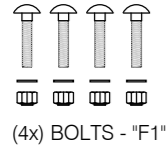


TOOLS REQUIRED:



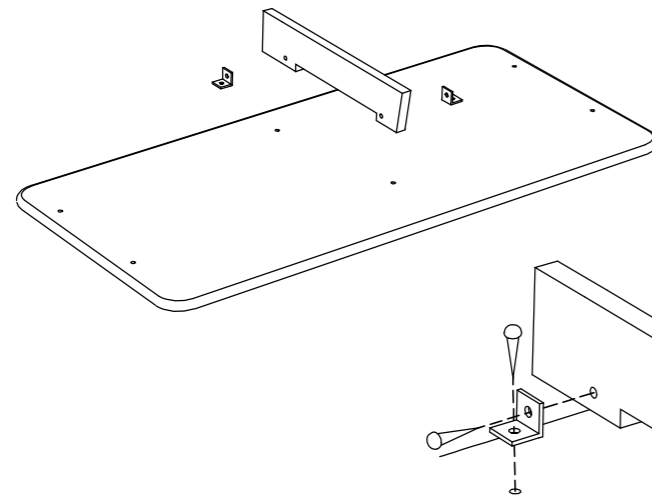
- ADD NAIL ON GLIDES WITH NYLON BASE TO EACH LEG END

Receptor Double Scheme



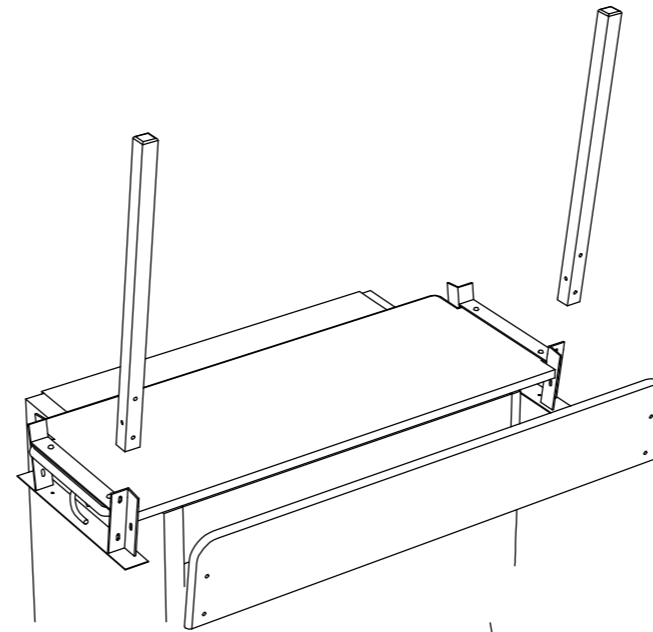
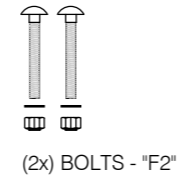
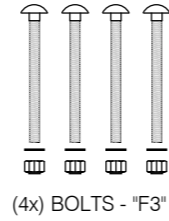
STEP 1

- LAY SHELF ON TABLE OR ELEVATED WORK SURFACE THAT IS PROTECTED BY FABRIC OR OTHER SOFT MATERIAL
- PLACE THE RECEPTORS ON THE OVERHANGING EDGE OF THE SHELF AND FASTEN



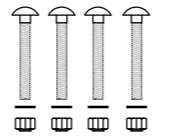
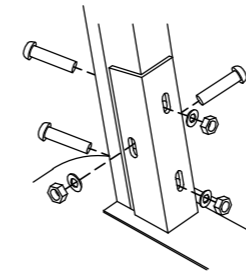
STEP 4

- FASTEN SHELF DIVIDER AT CENTERLINE OF DESKTOP USING THE CLIPS PROVIDED
- PREDRILL ALL HOLES PRIOR TO FASTENING THE SCREWS

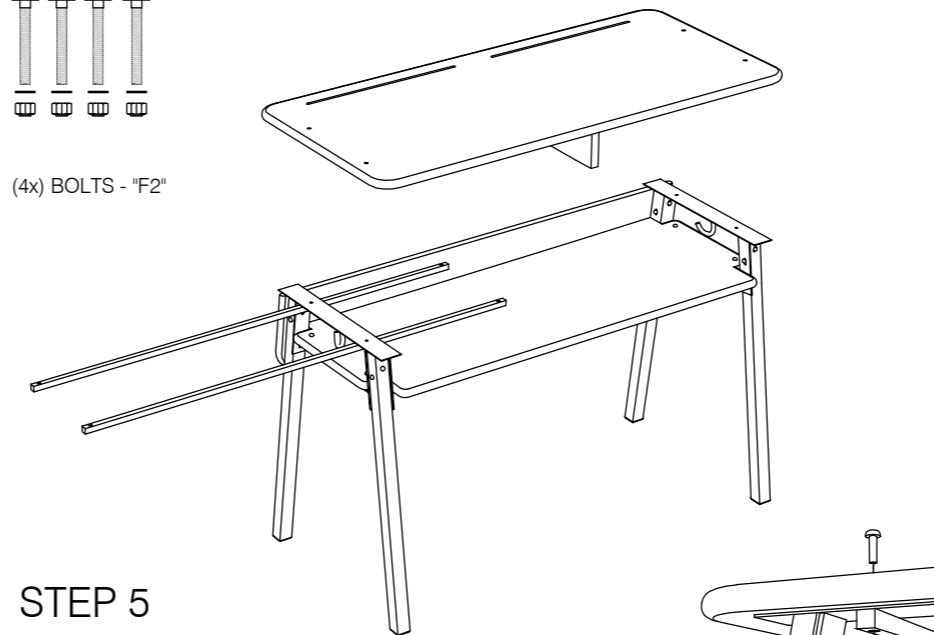


STEP 2

- PLACE EACH OF THE TWO FRONT LEGS INTO THE RECEPTORS
- LAY THE MODESTY PANEL AGAINST THE LEGS
- FASTEN TO THE LEG THROUGH BOTH THE LEG AND PANEL

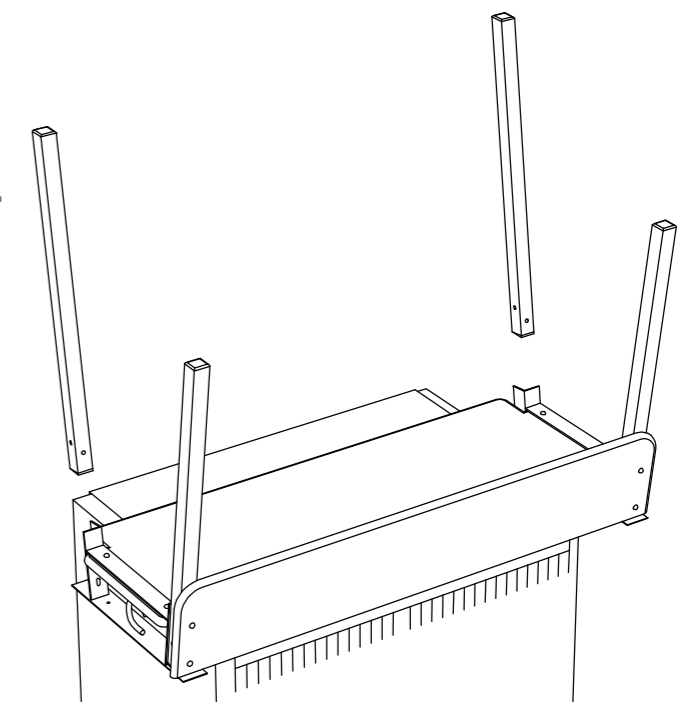
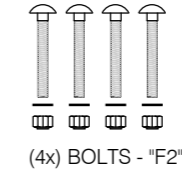
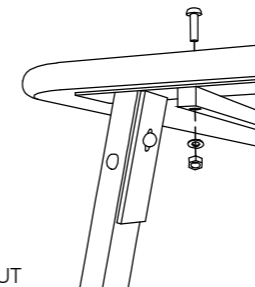


(4x) BOLTS - "F2"



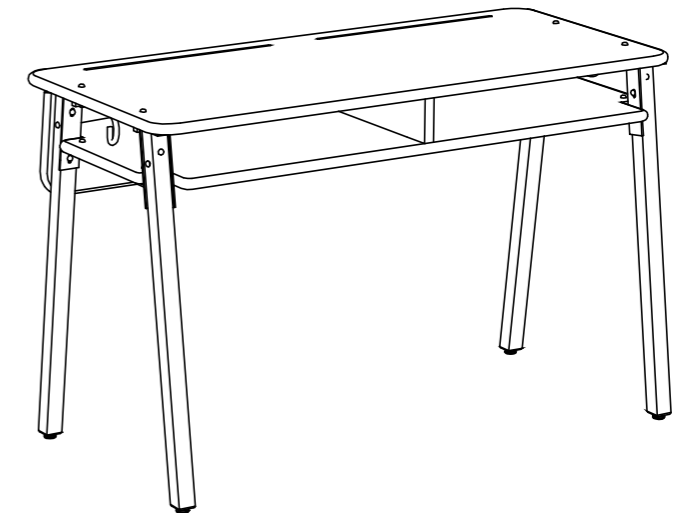
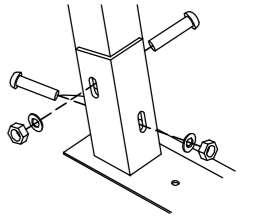
STEP 5

- LAY THE DESKTOP ON TOP OF THE RECEPTORS AND FASTEN
- SLIDE THE STEEL CROSS BRACE BARS ACROSS THE SPAN OF THE DESKTOP AND FASTEN THEM TO THE RECEPTORS
- GO BACK AND TIGHTEN EACH BOLT AS TIGHT AS POSSIBLE WITHOUT CRACKING WOOD SURFACE

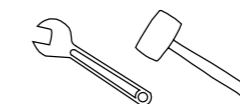


STEP 3

- PLACE EACH OF THE TWO REAR LEGS INTO THE RECEPTORS
- FASTEN TO THE LEG THROUGH BOTH THE LEG AND PANEL
- TAP IN THE BOLTS SO THE HEAD IS FLAT TO THE WOOD AND TIGHTEN NUTS. BE CAREFUL NOT TO TIGHTEN TOO MUCH TO AVOID BREAKING THE WOOD SURFACE



TOOLS REQUIRED:



COMPLETE

- ADD NAIL ON GLIDES WITH NYLON BASE TO EACH LEG END



CHAIR SEAT / LEG CONNECTION



LEG CONNECTION SHOWING TRIMMED BOLT ENDS



DESK / SHELF CONNECTION SHOWING BAG HOOK



FRONT DESK CONNECTION SHOWING CHAIR BOARD EDGE



OBLIQUE



SIDE ELEVATION

